

# NOVA LIBRARY SHELVING

Made in Europe



 MONARQUE

# NOVA LIBRARY SHELVING

Made in Europe

- Elegant continual walls of shelving without a dividing panels gives a sense of continuity, clean lines and modern design.
- Versatile system that combines different heights and depths as well as single, and double, sided sections.
- Available in static and mobile.
- Customizable to fit your requirements.
- Ability to attach working tables to the shelving.
- Ability to have individual lights in all the shelves and can be turned on/off individually.
- Ability to have end panels with power & lights.
- End panels with customized finishes: steel, glass, fabric, wood, acrylic.
- Large variety of robust accessories and shelves can hold 100kg per linear meter.
- Accessories can be attached easily without the necessity of tools making reconfigurations quick and easy
- Beautiful
- Durable
- Flexible
- Easy maintenance
- Easy reconfiguration

 **MONARQUE**



# NOVA LIGHTING

Made in Europe

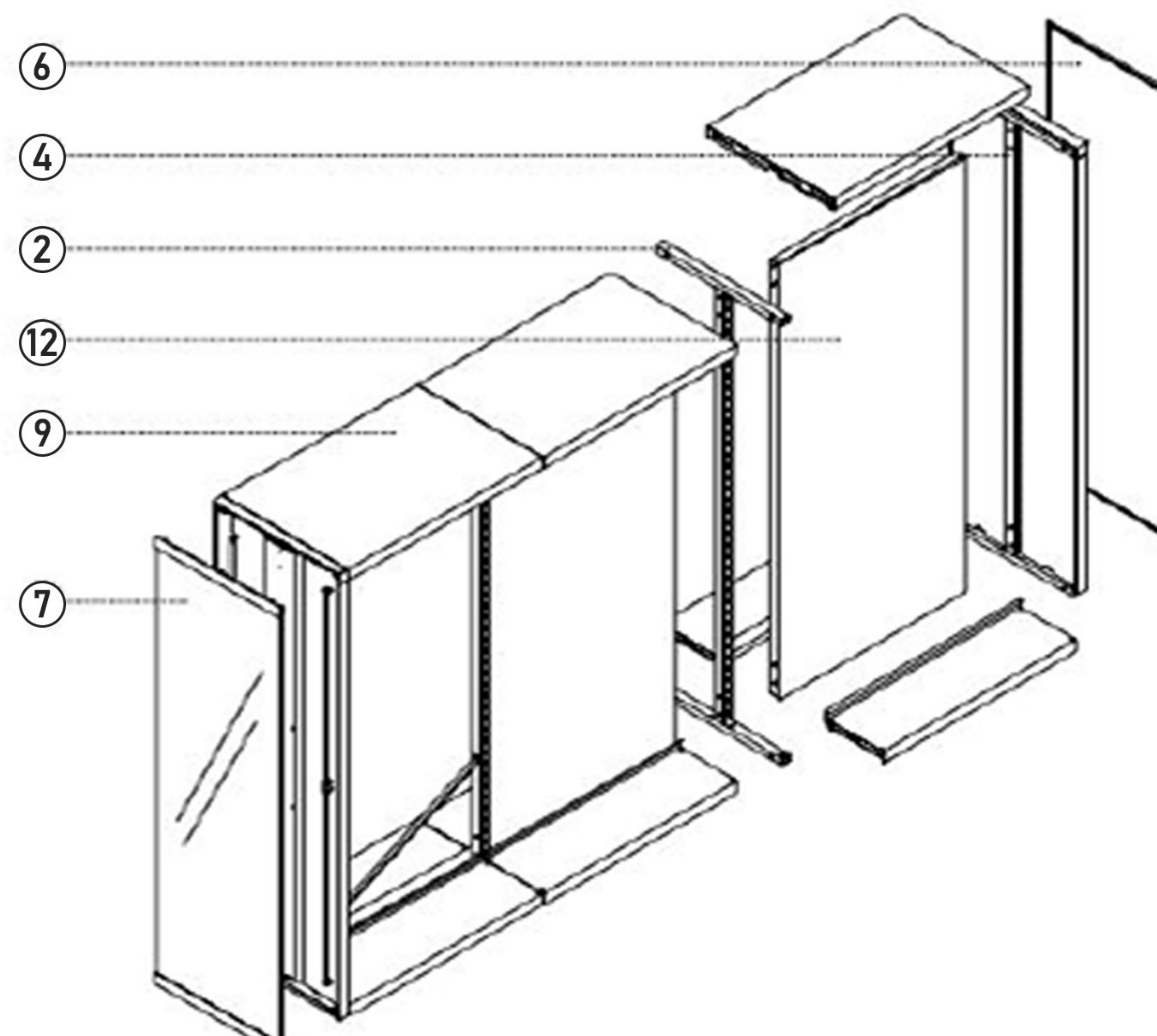
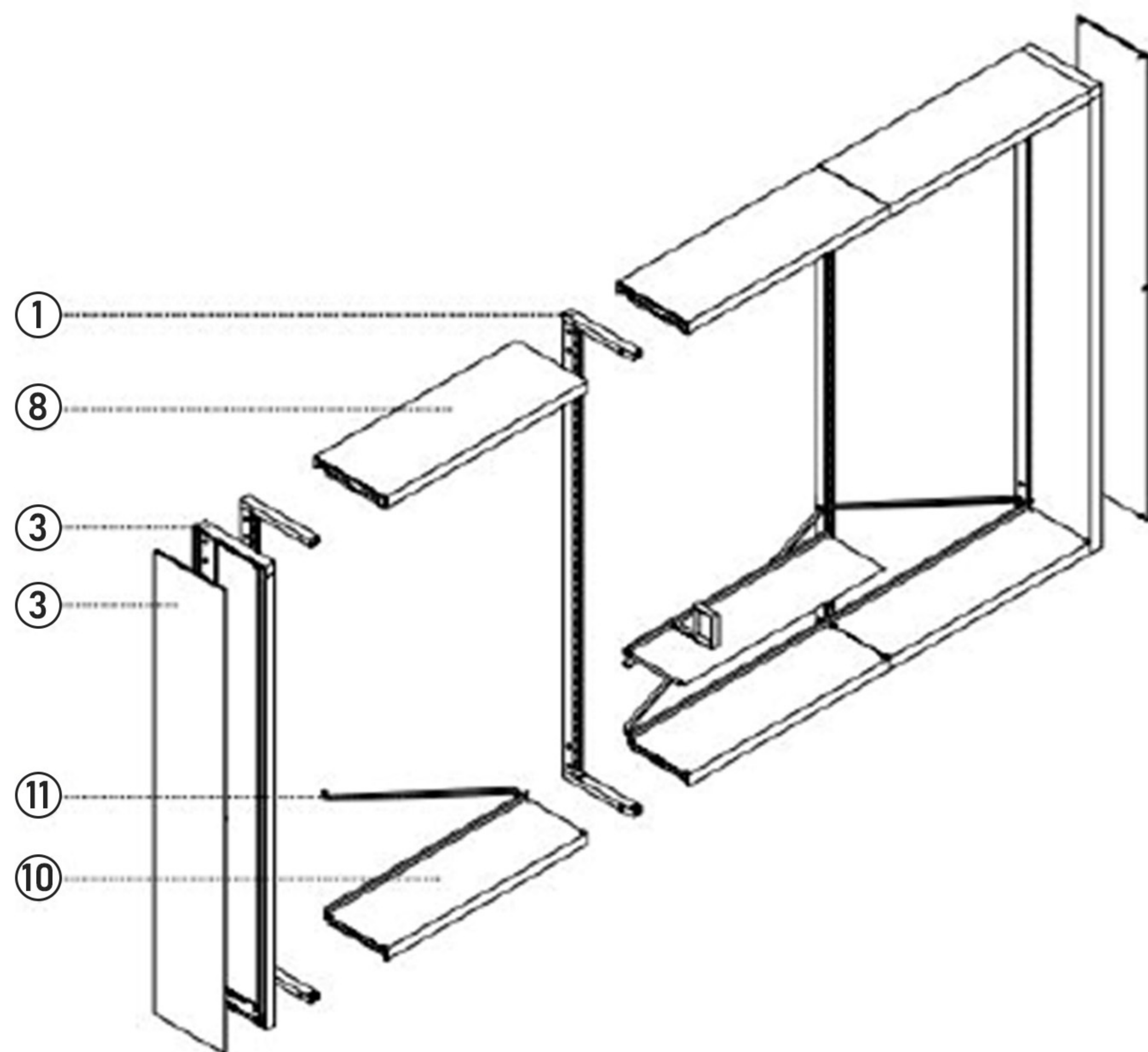
- Simple and subtle lighting
- CSA & UL Listed
- Easily reconfigured

- 1 track
- 2 track connector
- 3 track ends
- 4 light connector whip
- 5 power transformer
- 6 light bar



# NOVA CONSTRUCTION

Made in Europe



## product details

- |                               |   |
|-------------------------------|---|
| 1 single lead                 | 7 double panel in frosted laminated glass |
| 2 double lead                 | 8 single top shelf                        |
| 3 single upright              | 9 double top shelf                        |
| 4 double upright              | 10. bottom shelf                          |
| 5 single panel in mdf         | 11 cross bar                              |
| 6 double panel in plain steel | 12 back                                   |

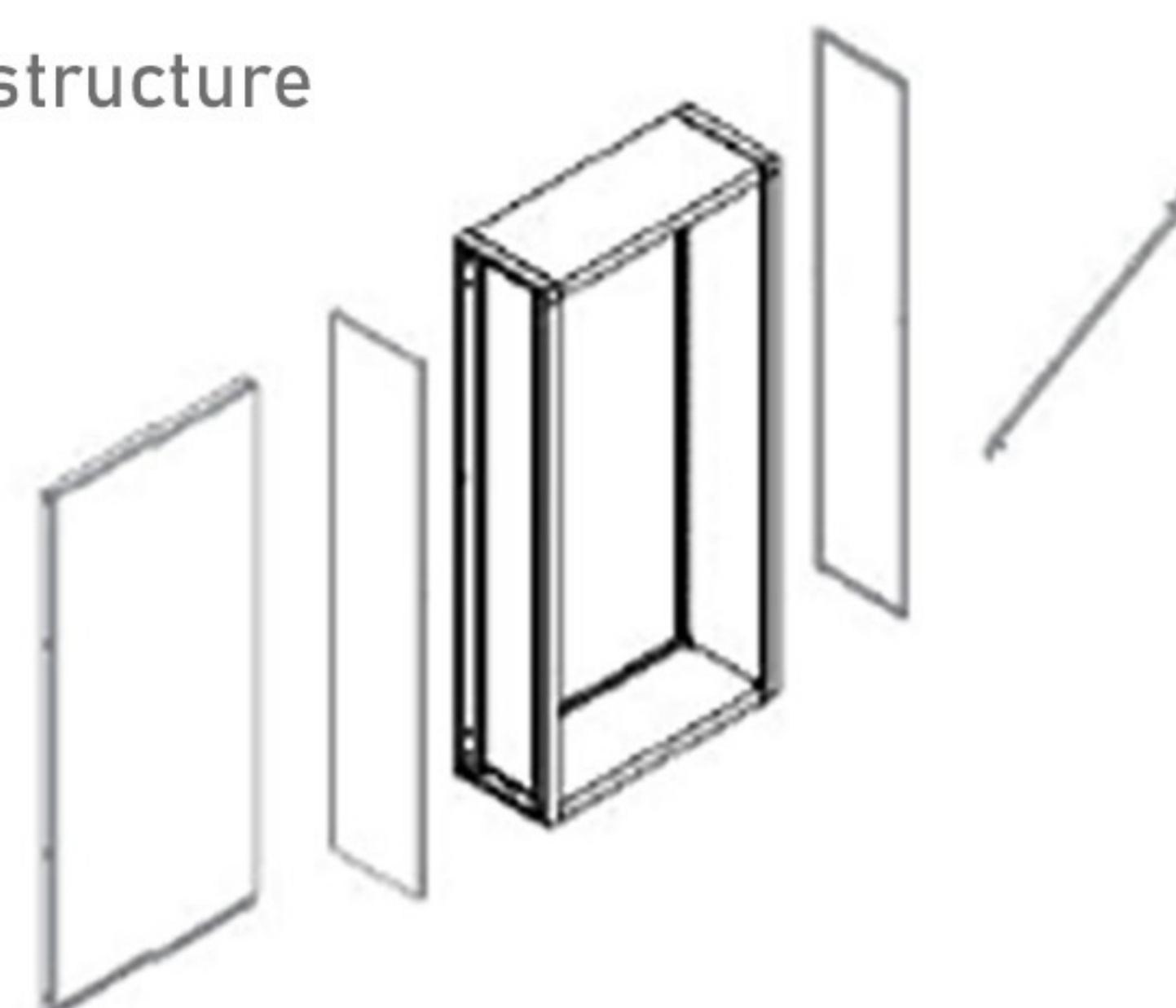
# NOVA CONSTRUCTION

Made in Europe

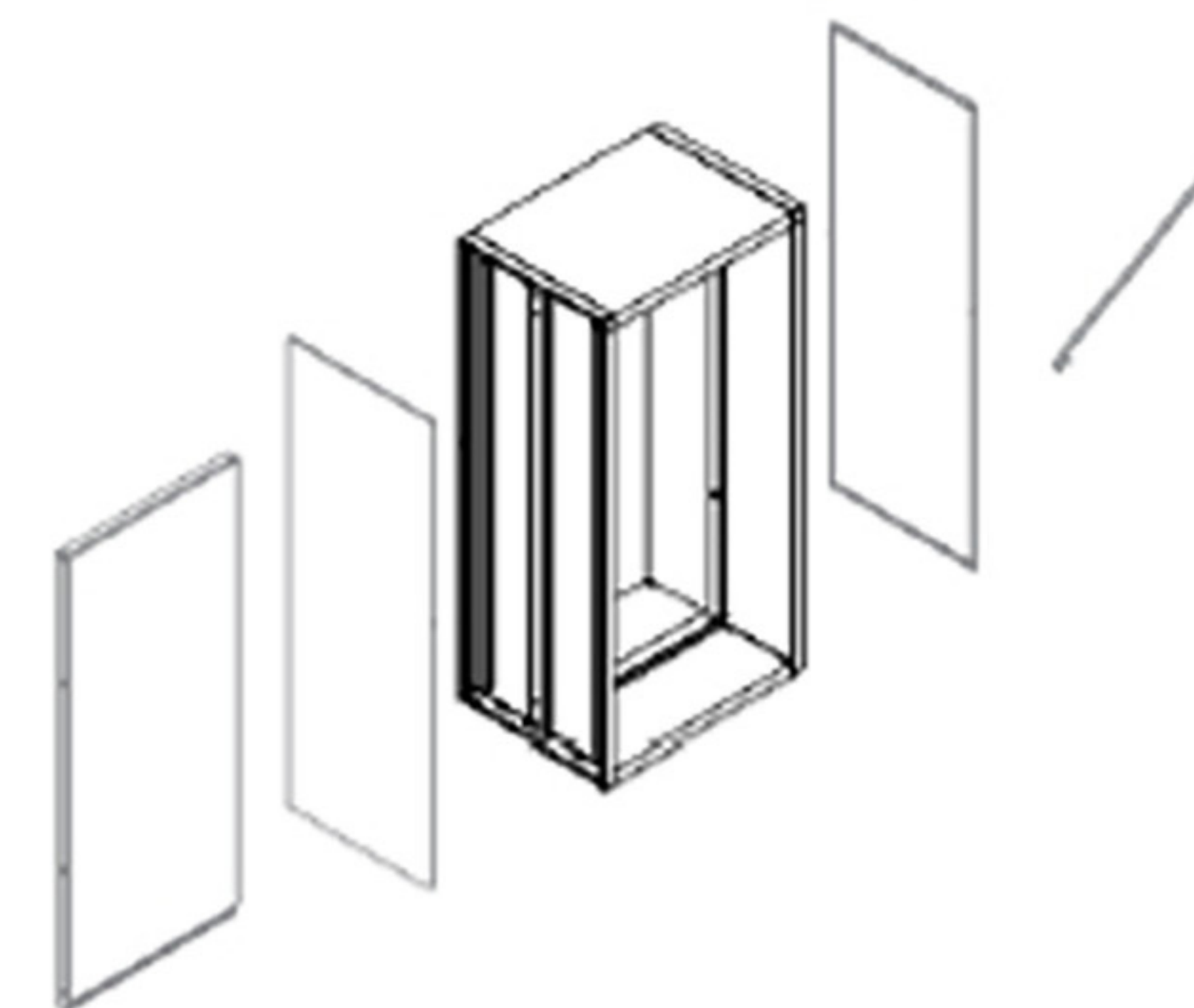


single unit / simple structure

panels, cross bars or back



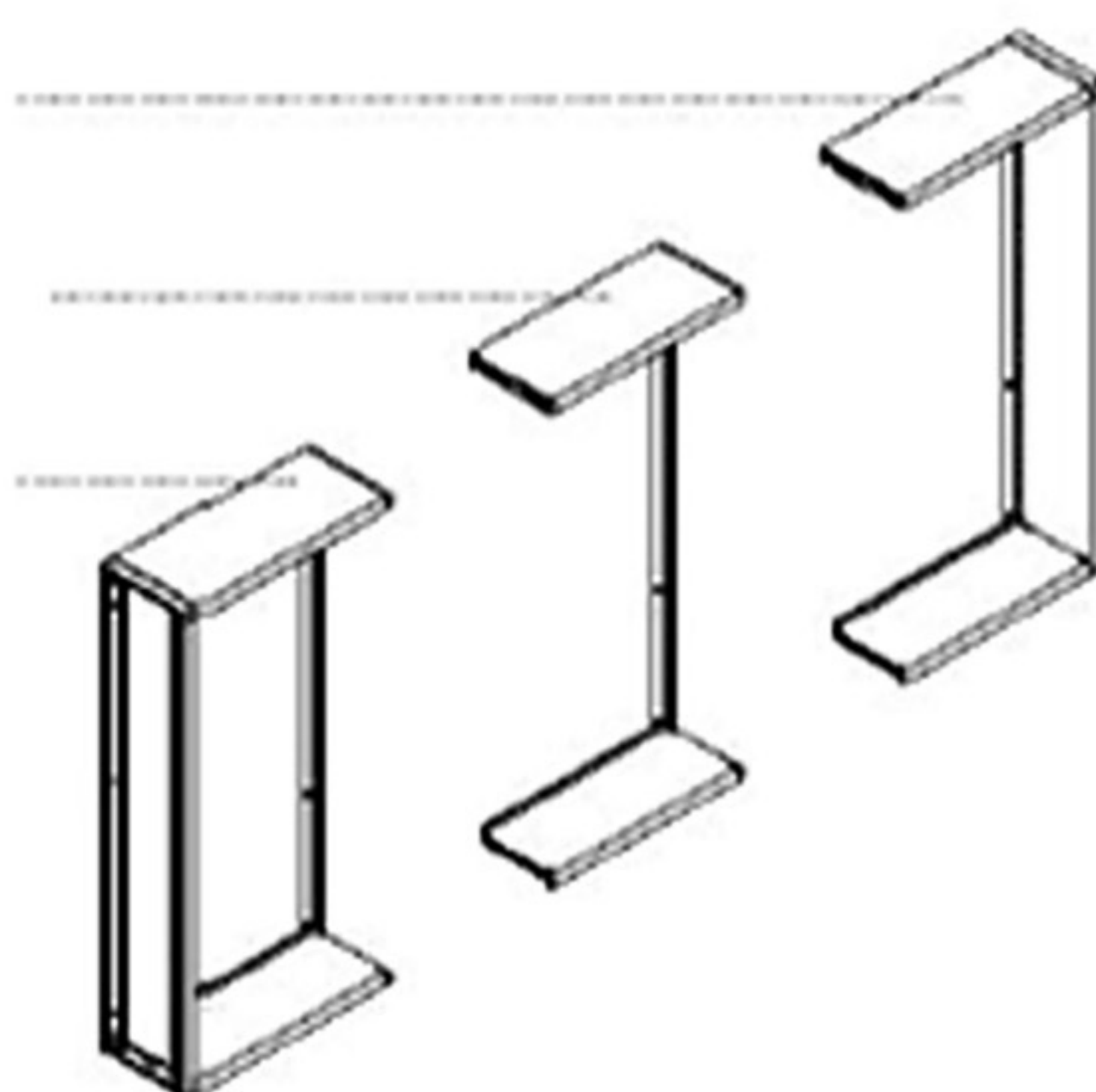
panels, cross bars or back



end unit / simple structure

continuation unit / simple structure

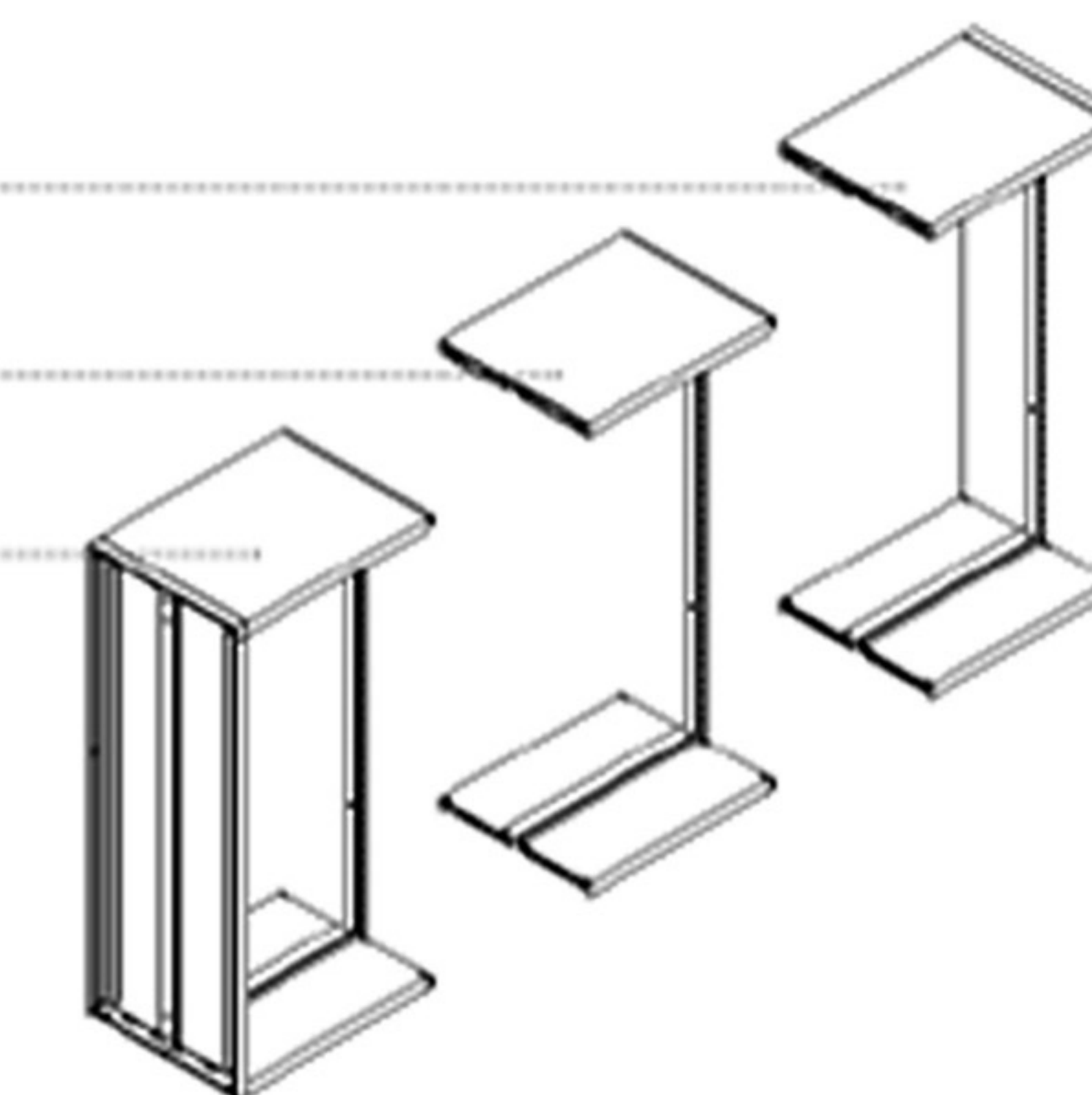
start unit / simple structure



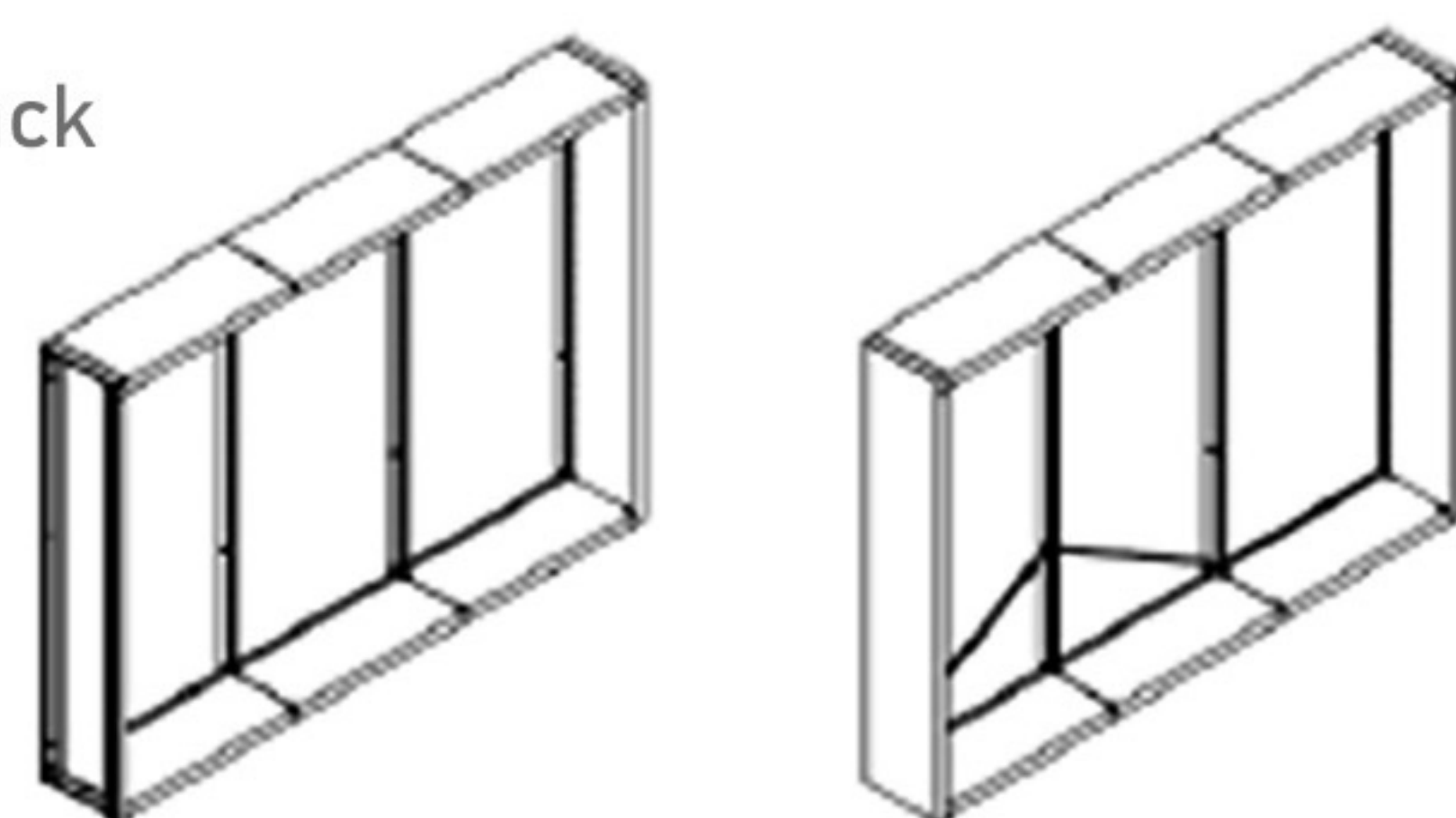
end unit / simple structure

continuation unit / simple structure

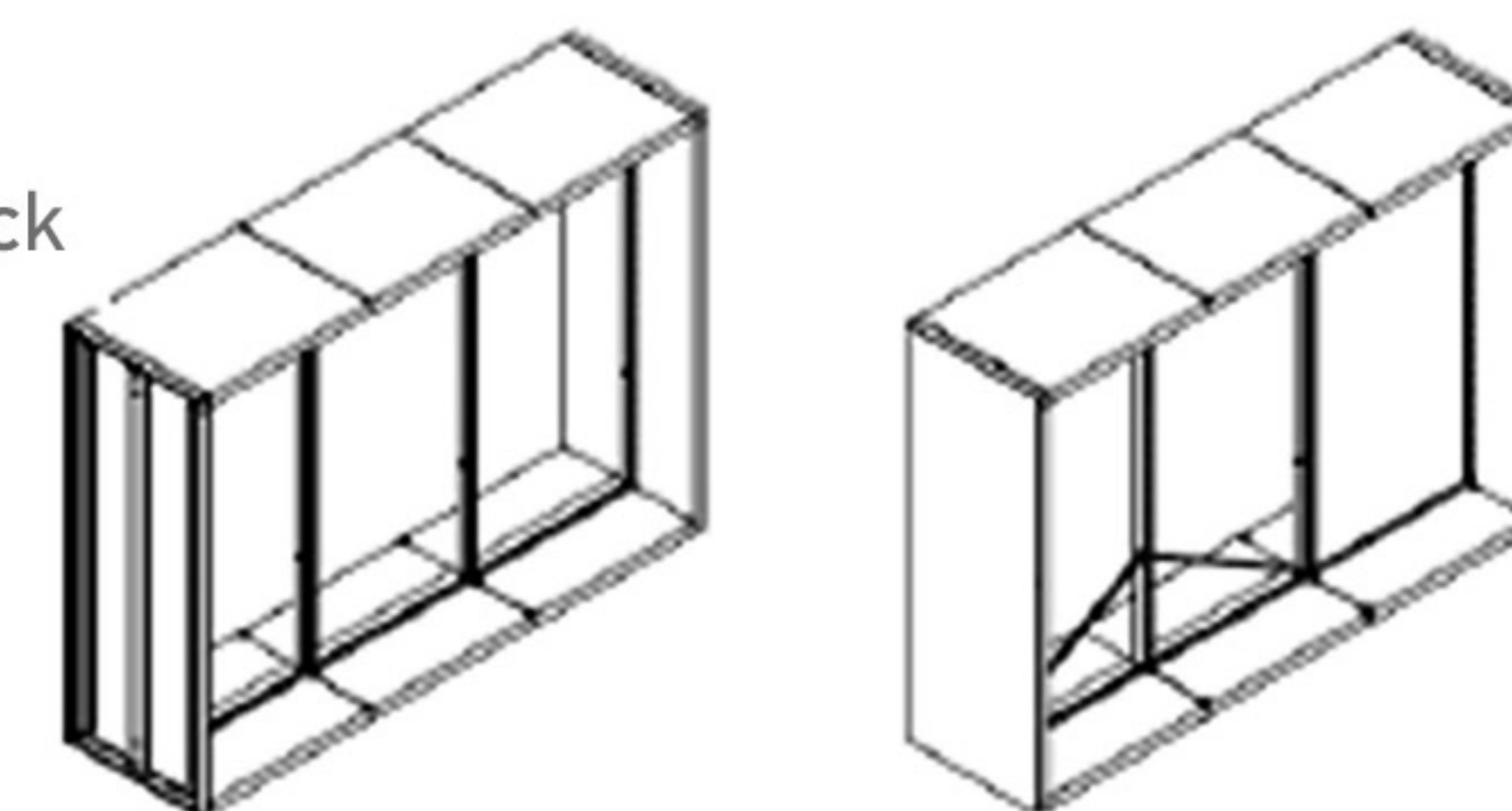
start unit / simple structure



2 panels - 2 cross bars - 1 back

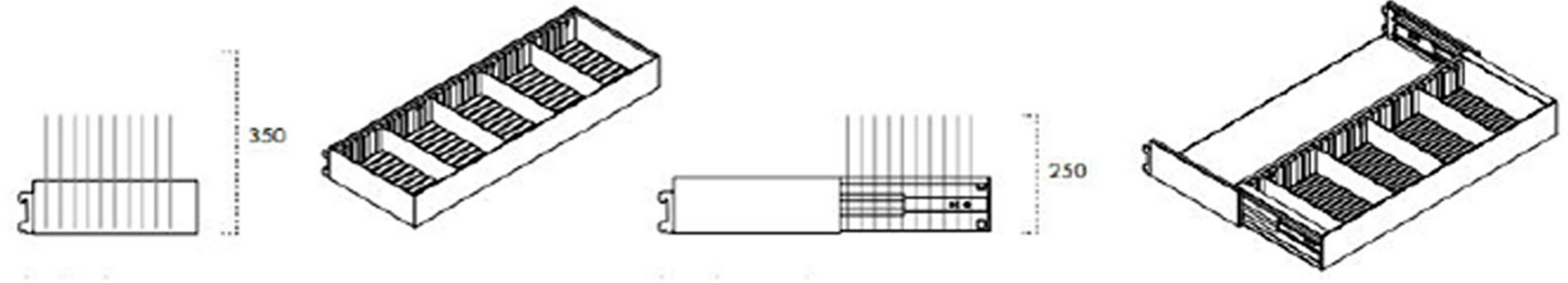


2 panels - 2 cross bars - 1 back

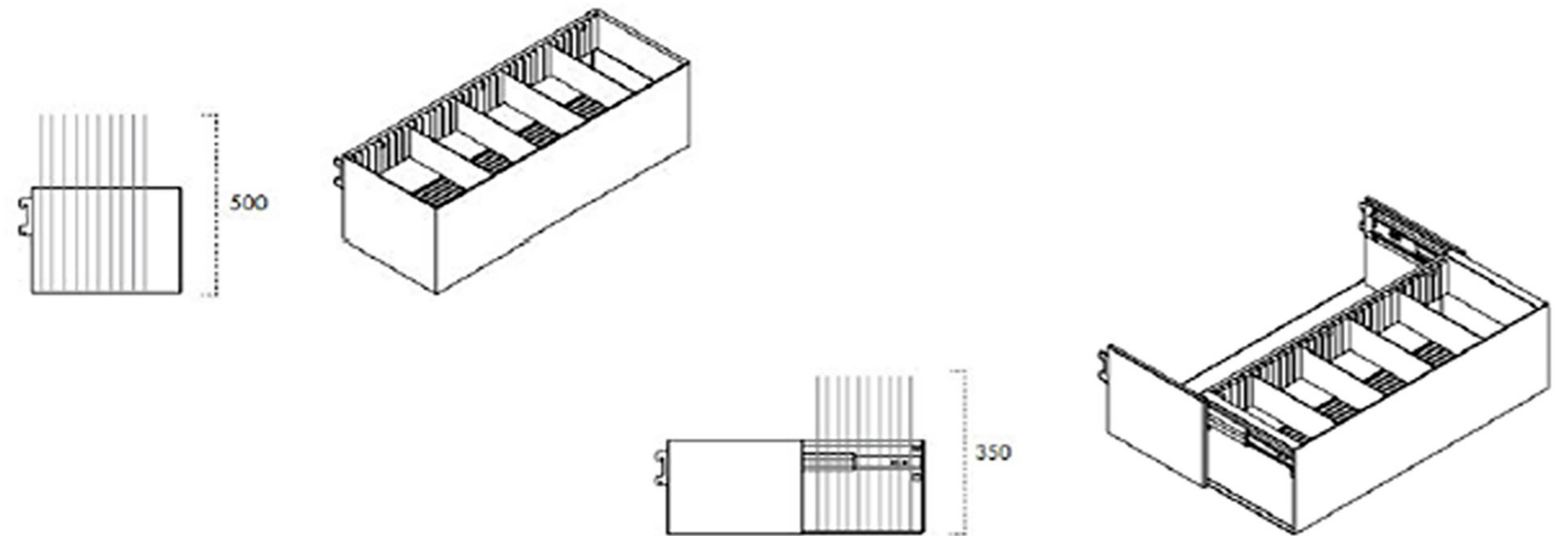


# NOVA ACCESSORIES

Made in Europe



product details

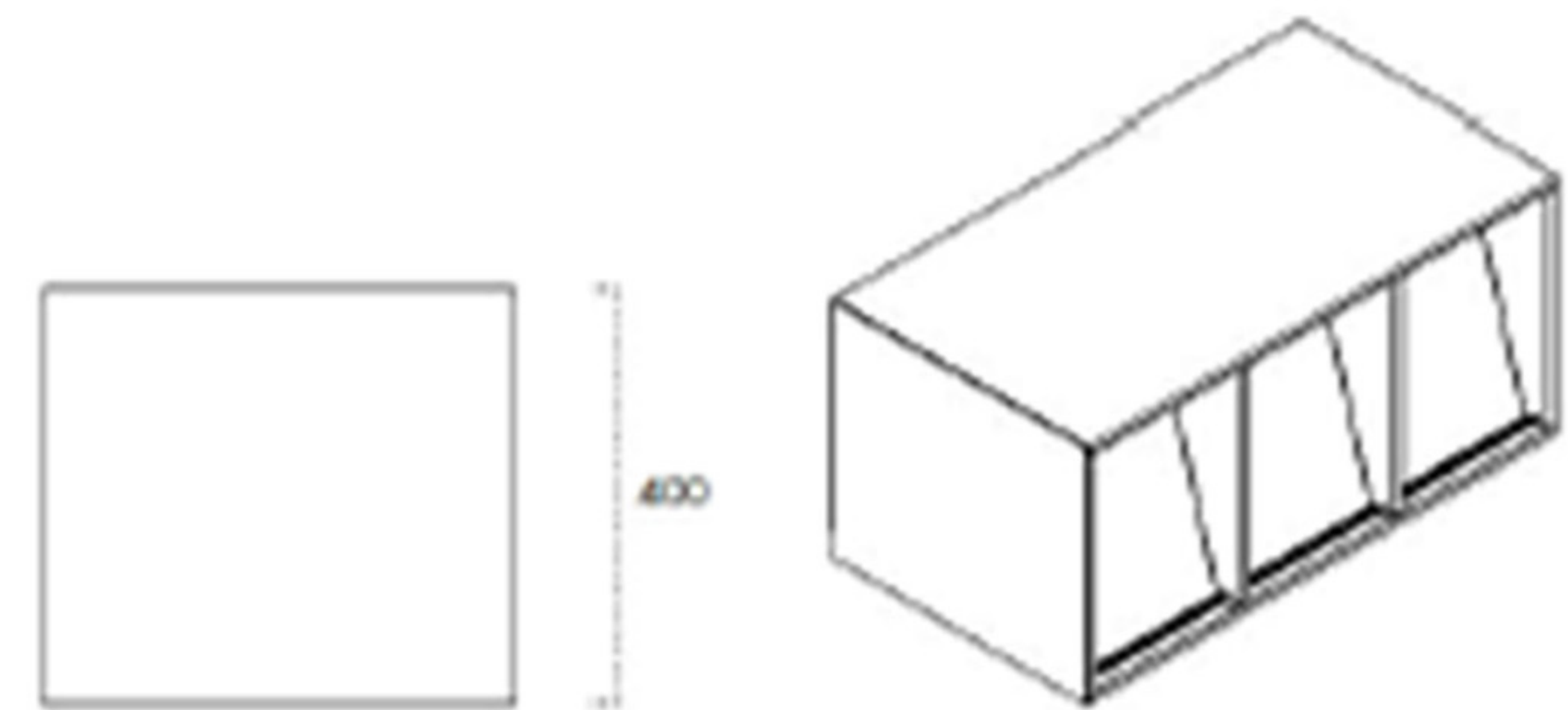


# NOVA ACCESSORIES

Made in Europe



product details

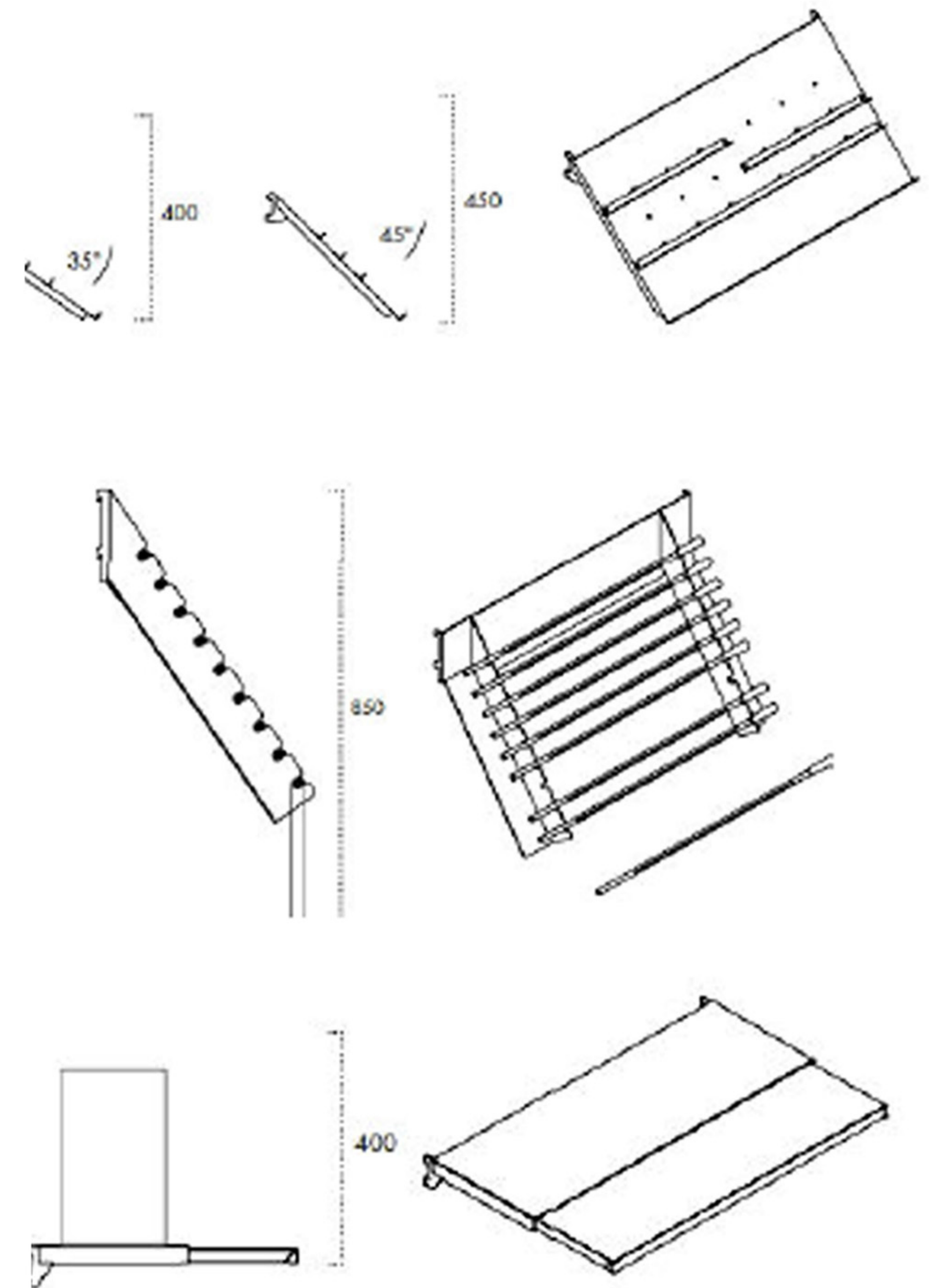


# NOVA ACCESSORIES

Made in Europe



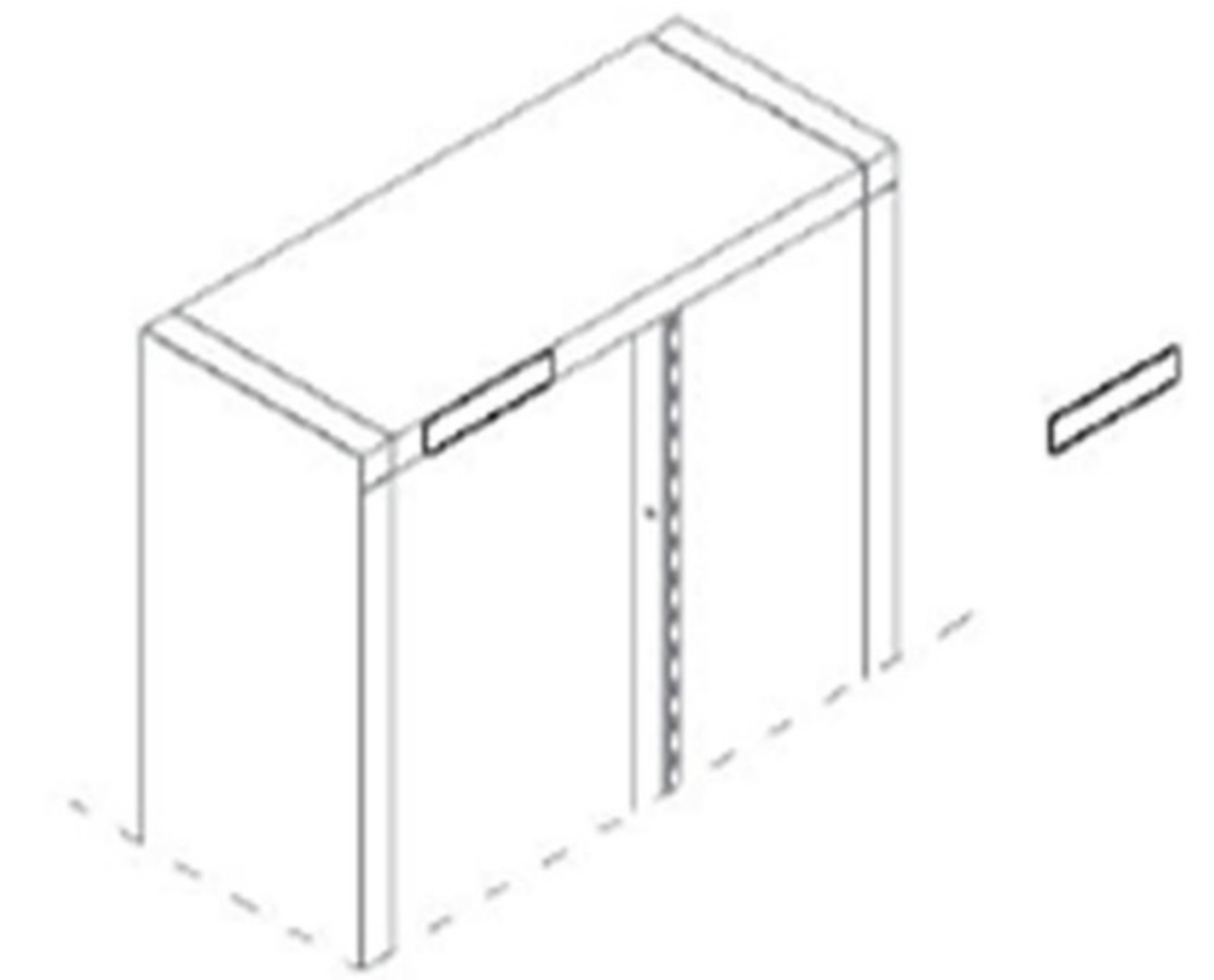
product details



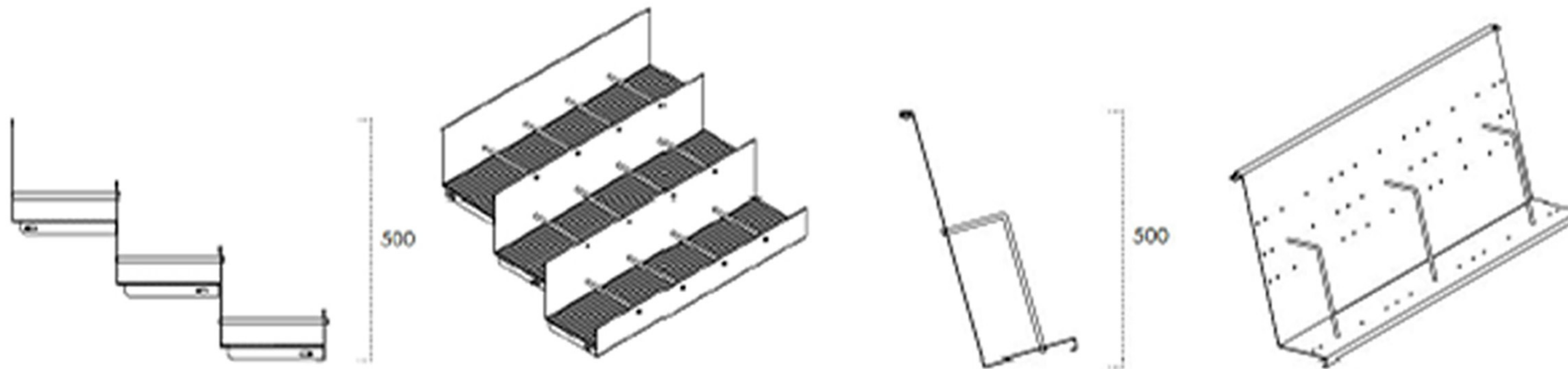


# NOVA ACCESSORIES

Made in Europe

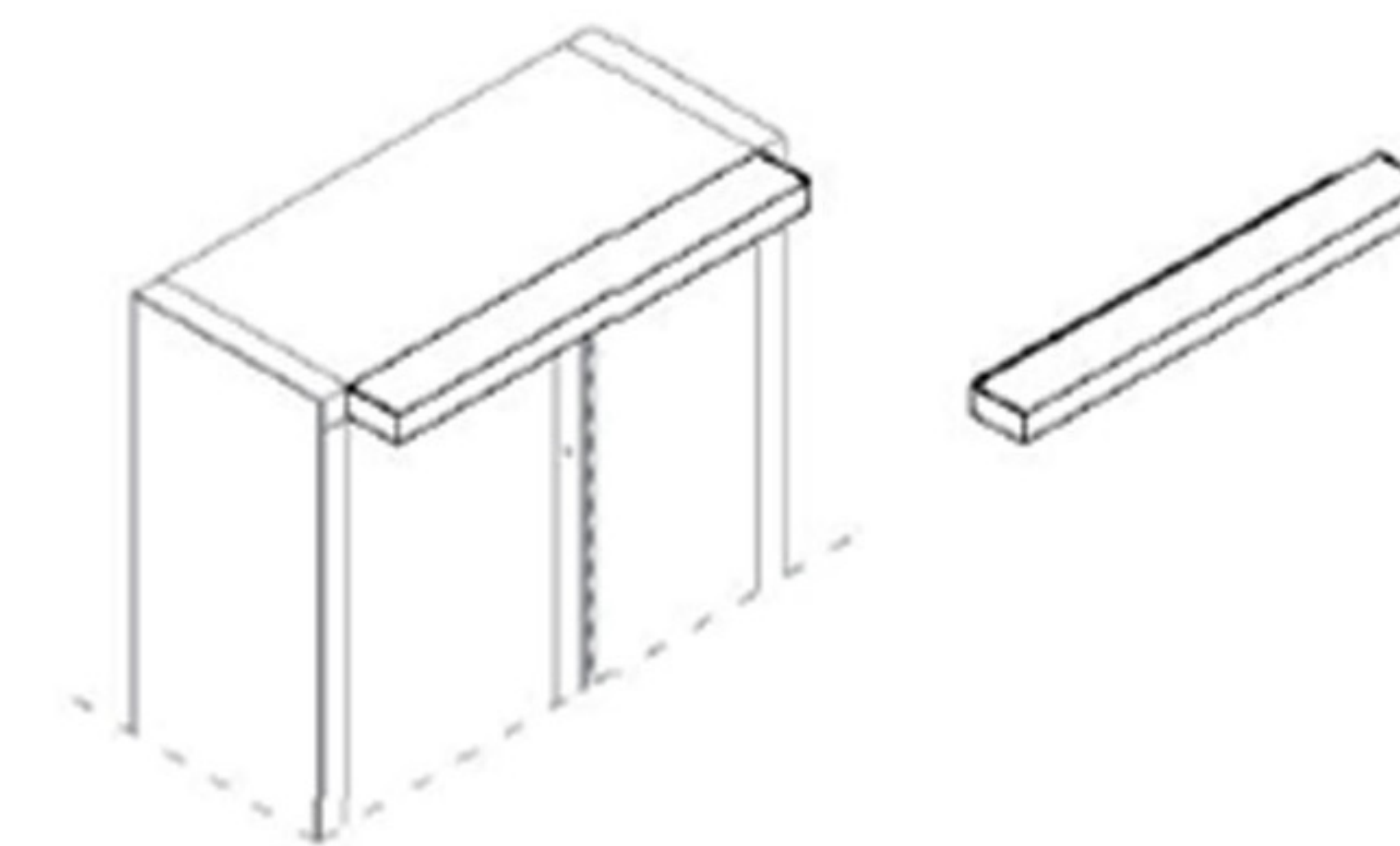
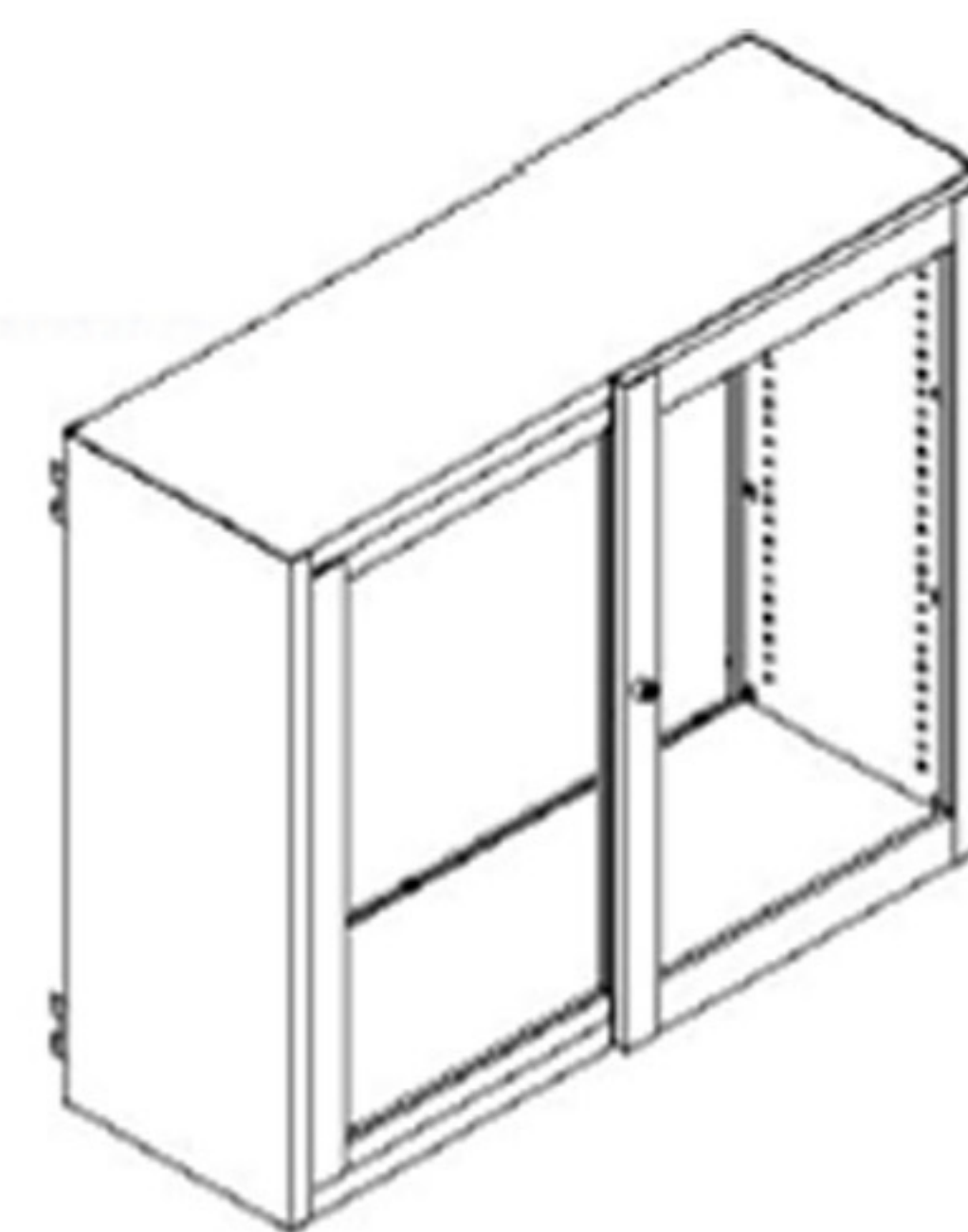
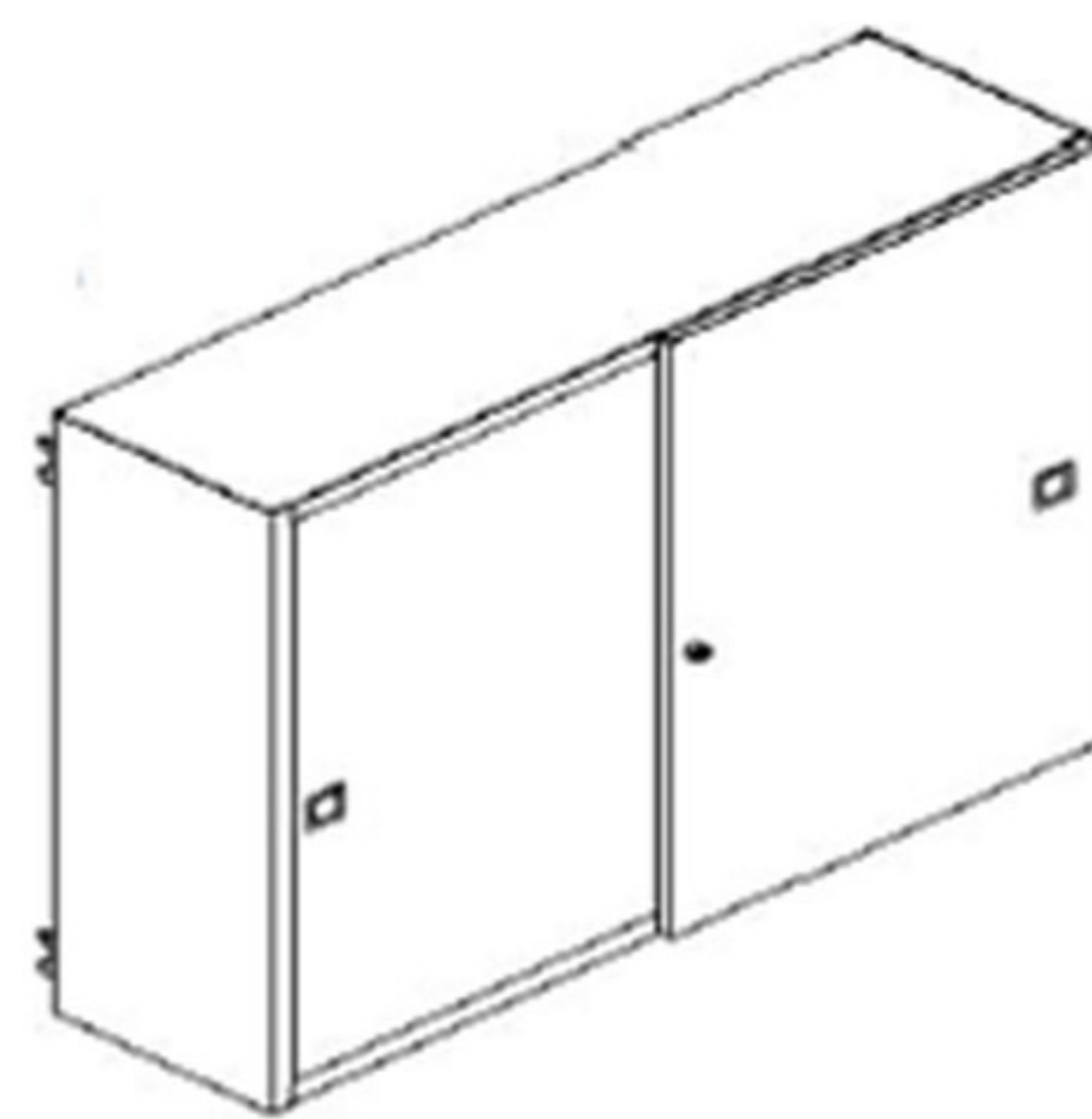
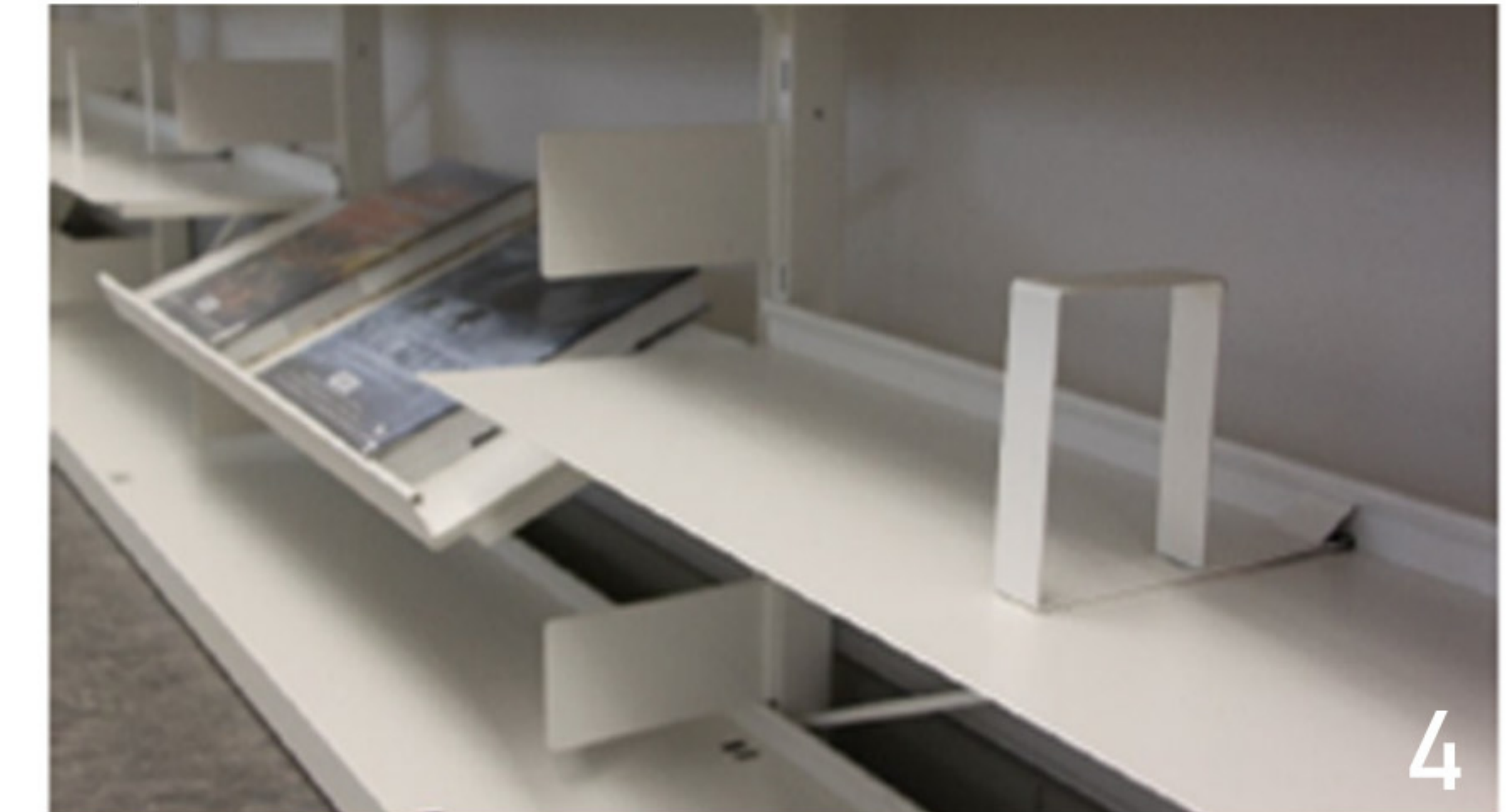
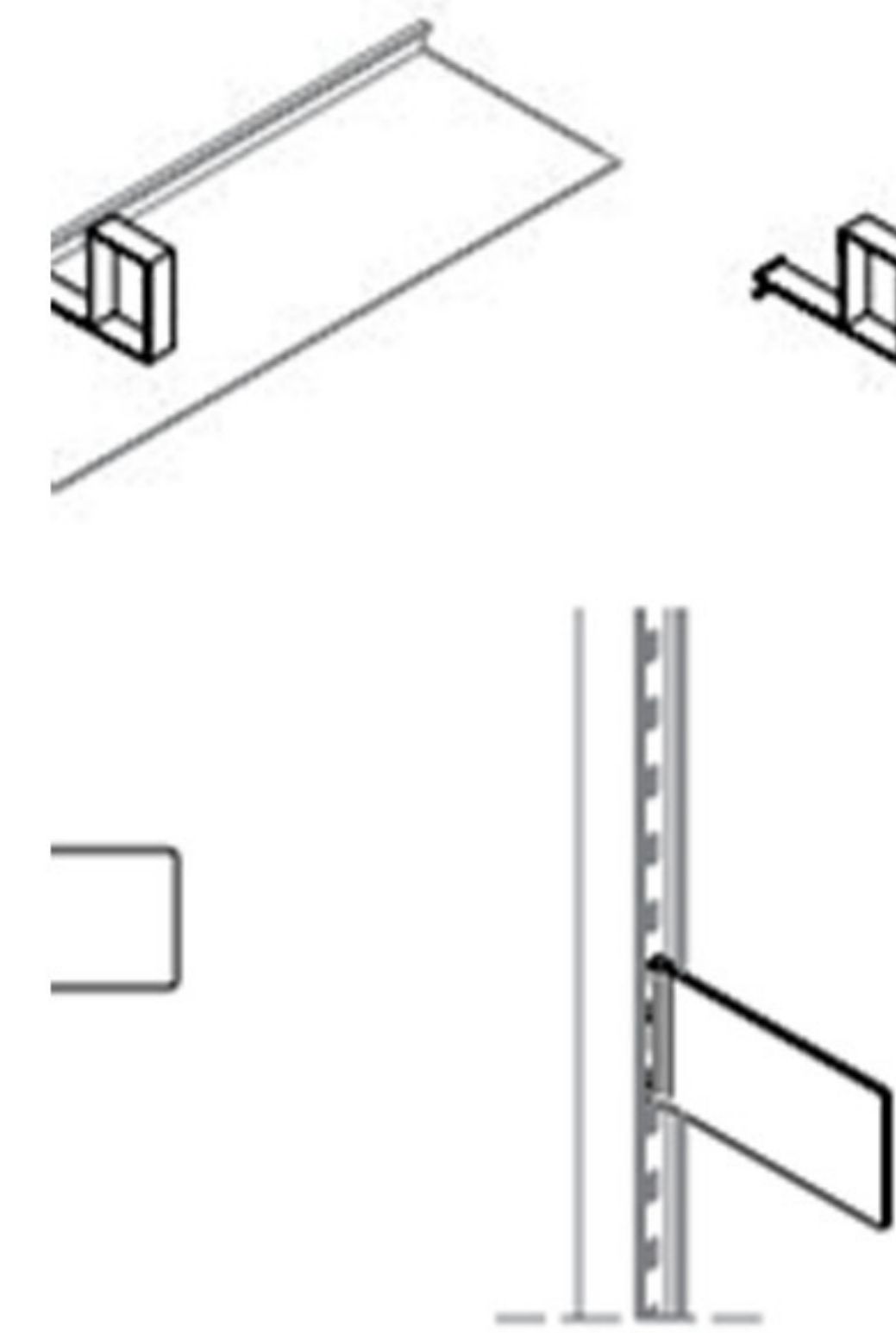
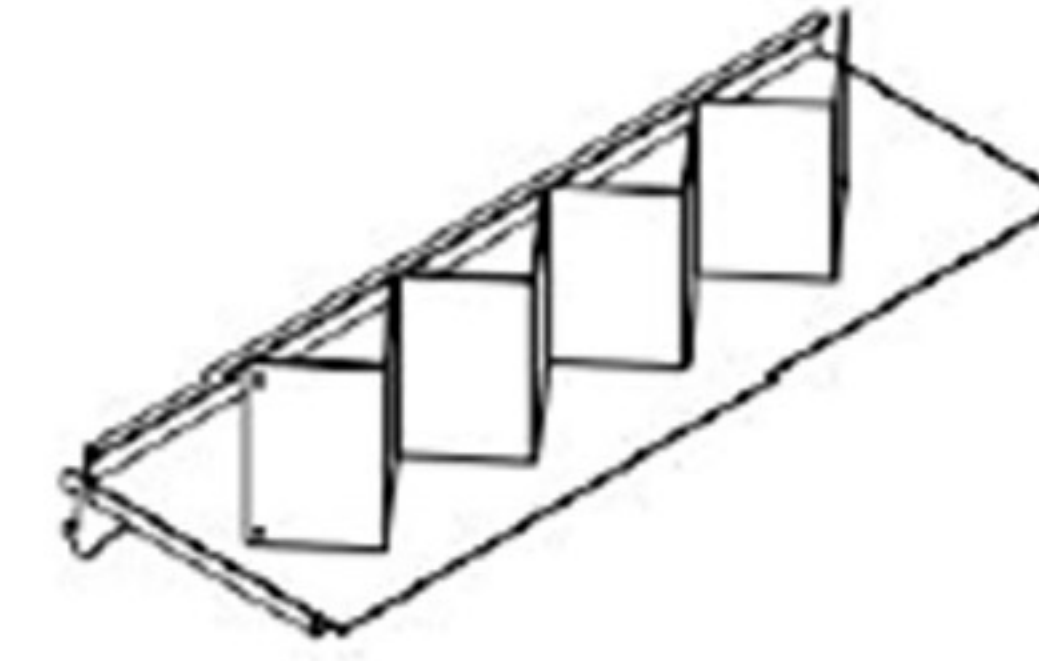
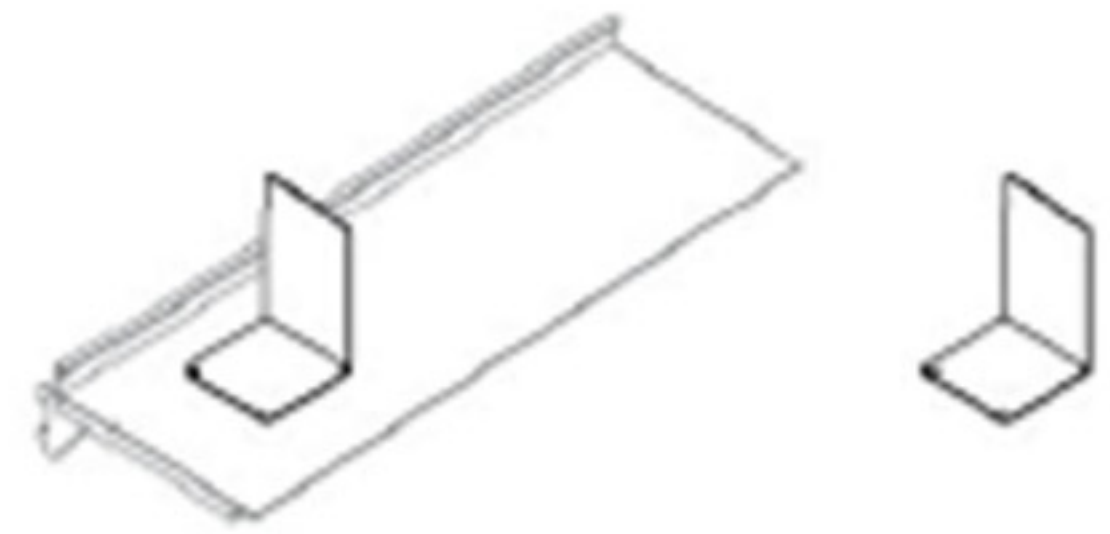


product details



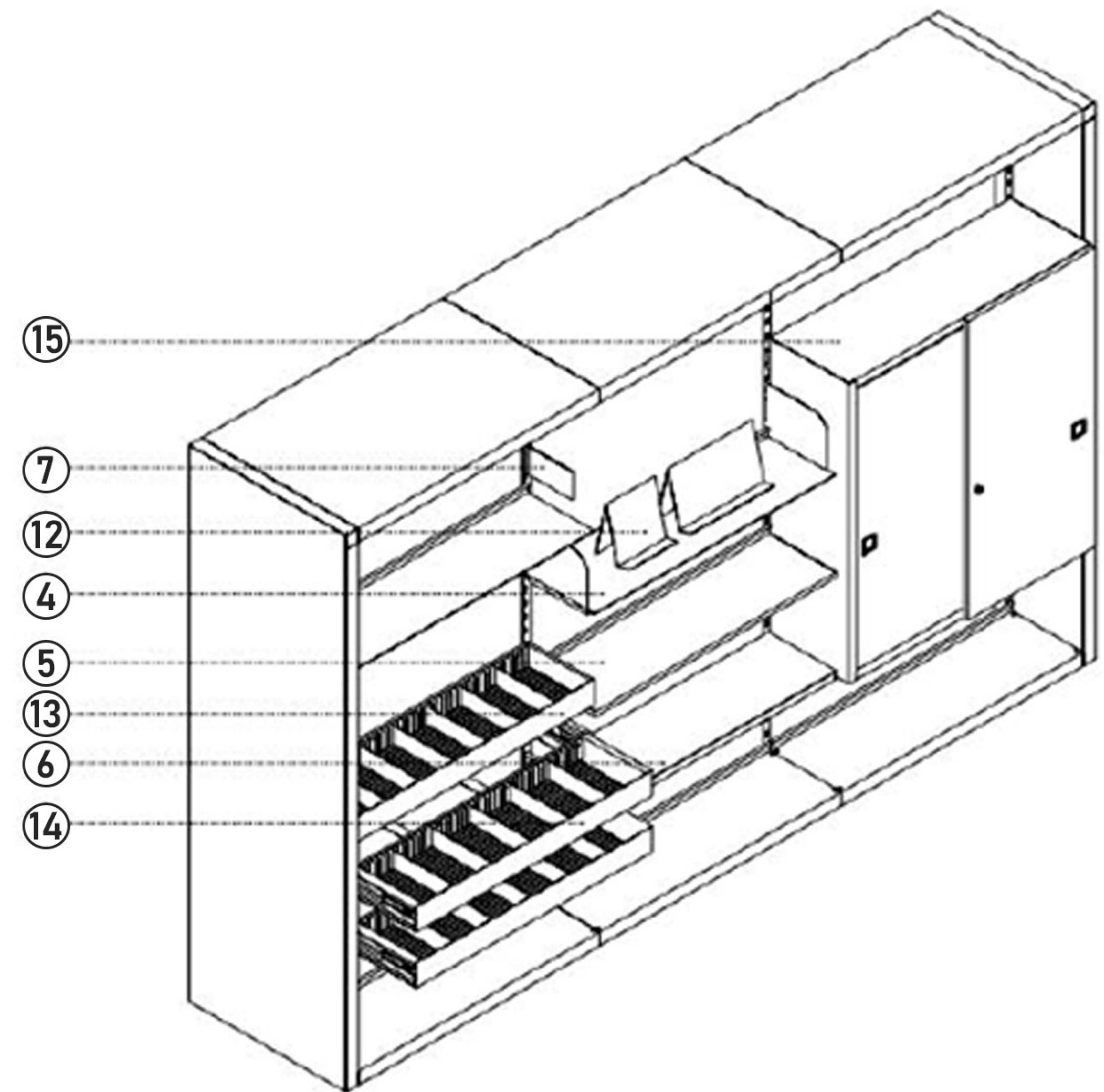
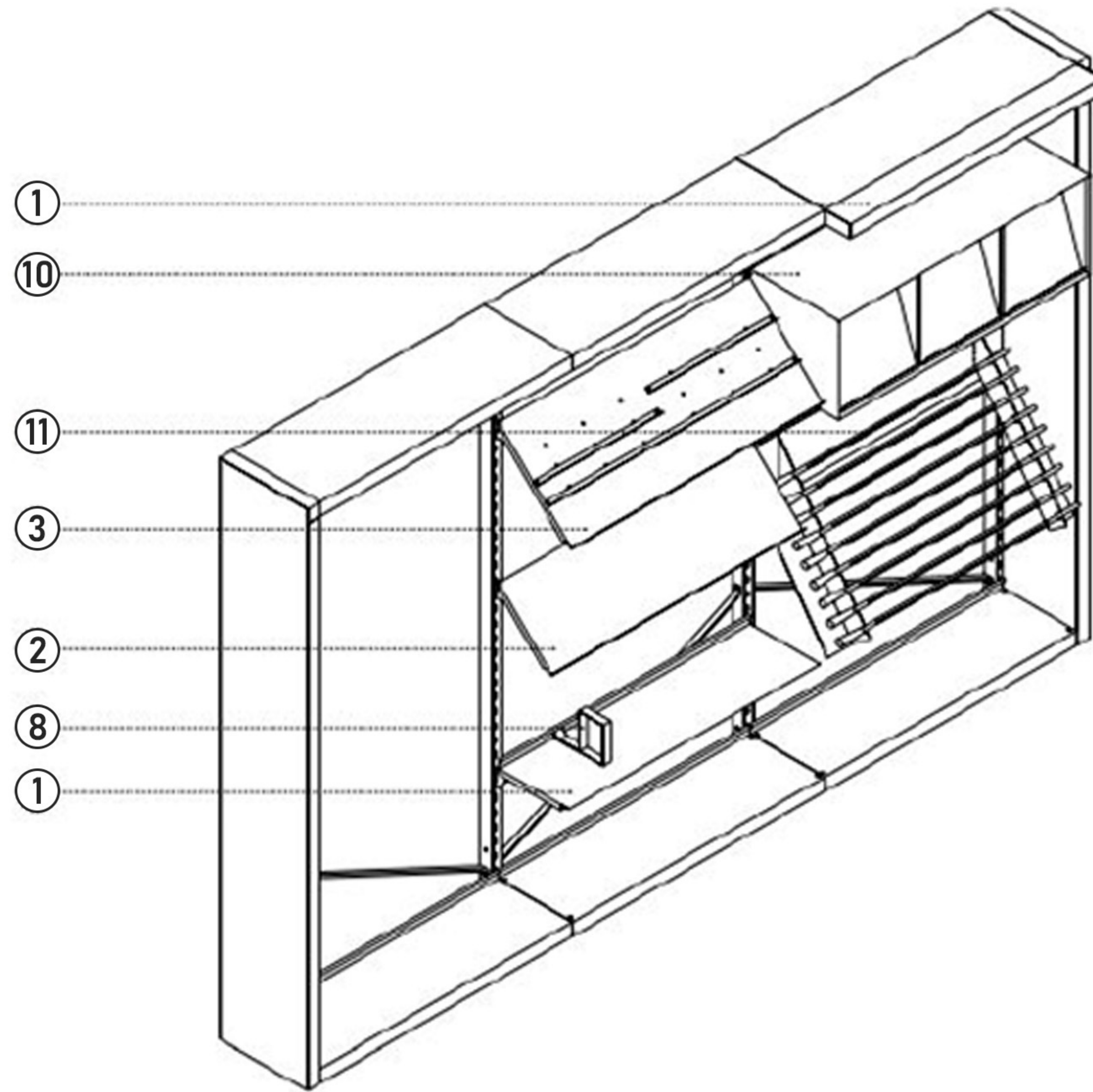
# NOVA ACCESSORIES

Made in Europe



# NOVA ACCESSORIES

Made in Europe



## product details

- 1 shelf
- 2 slope shelf with two positions
- 3 slope shelf with two positions and three holders
- 4 shelf with side
- 5 telescopic shell
- 6 wood shelf (MDF, HPL, melamine and veneer)
- 7 book stop
- 8 book divider

- 9 horizontal lighting
- 10 cupboard with tip up doors
- 11 newspaper display
- 12 display for books
- 13 box for cd's and dvd's
- 14 telescopic box for cd's and dvd's
- 15 cupboard with sliding doors

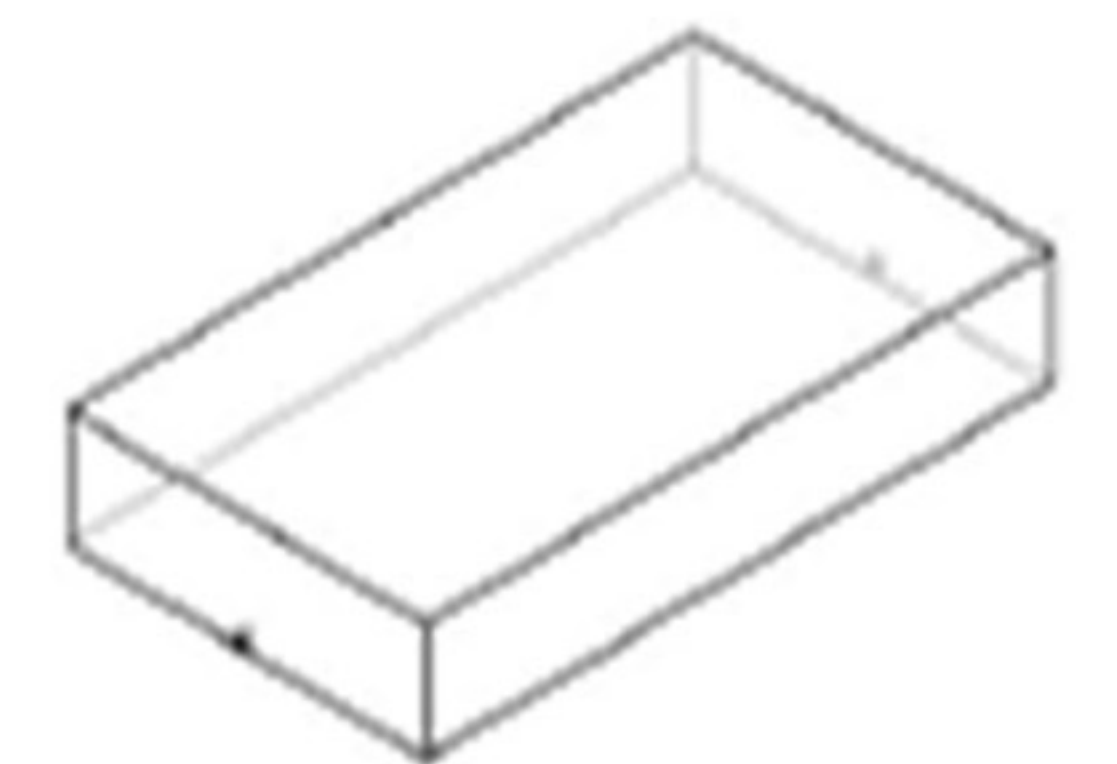
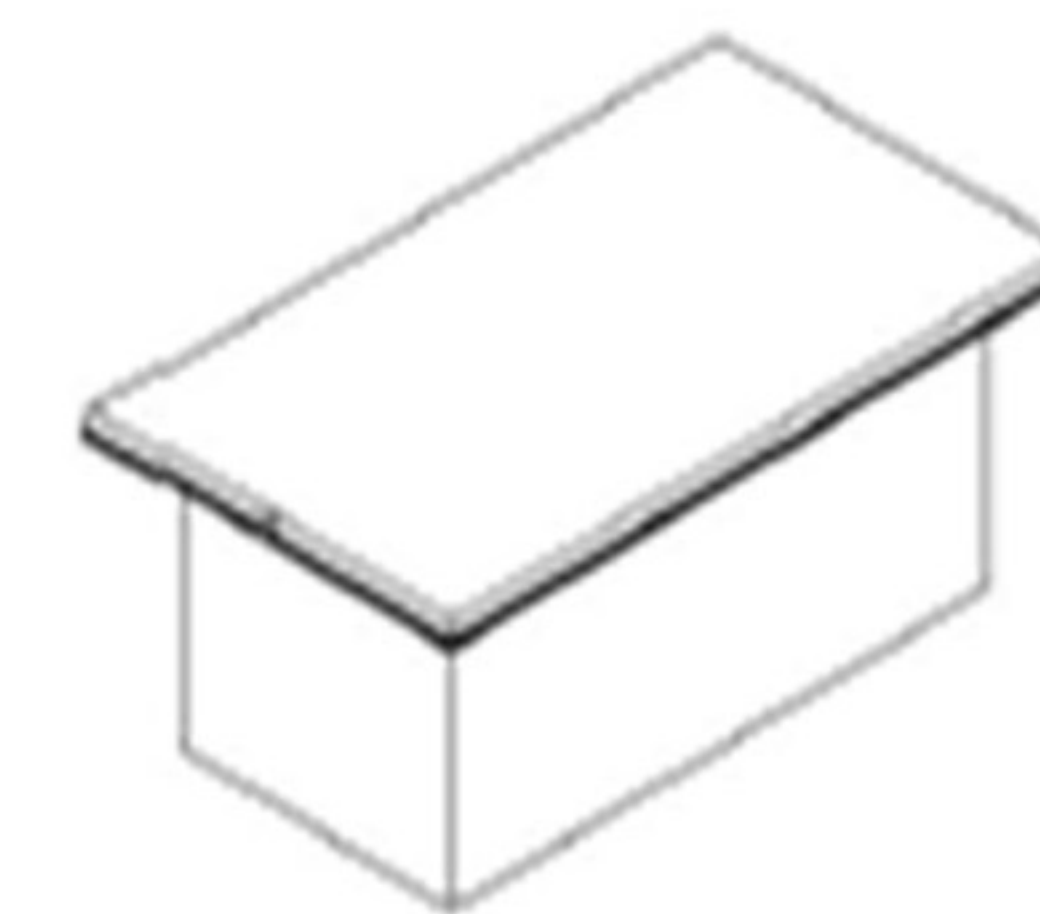
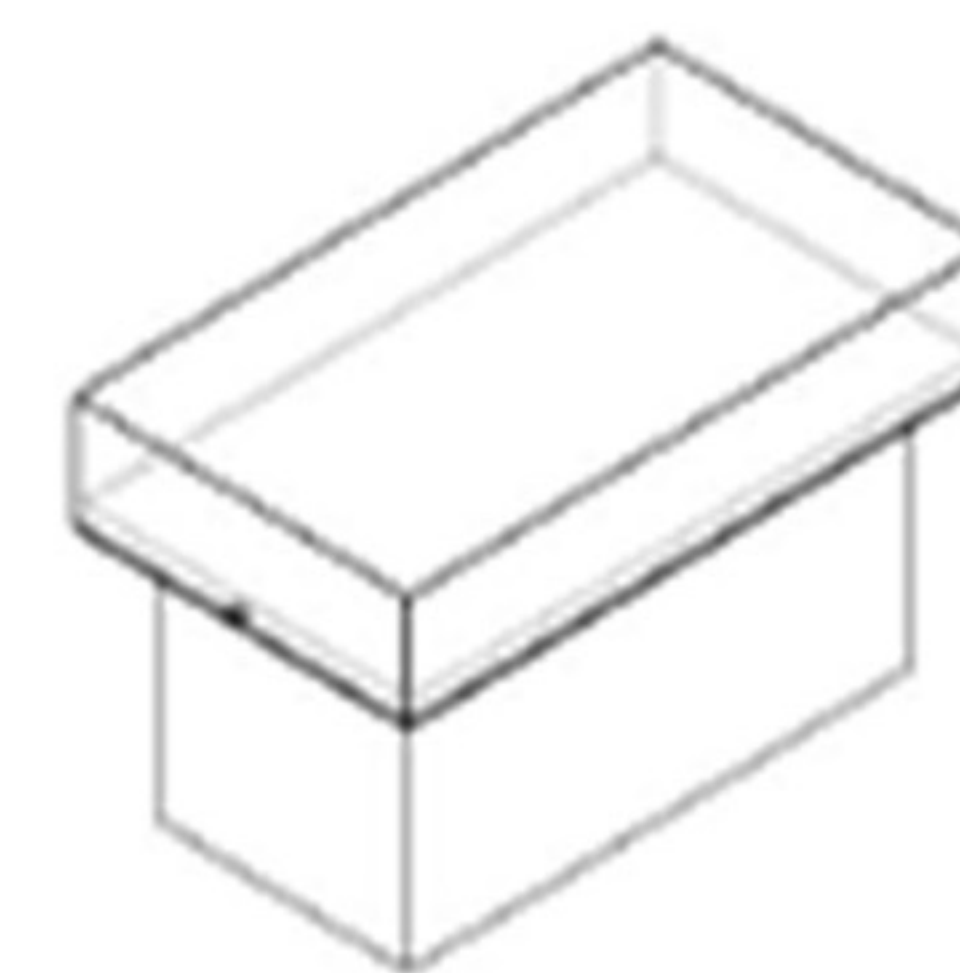
# NOVA COMPLEMENTS

Made in Europe



# NOVA COMPLEMENTS

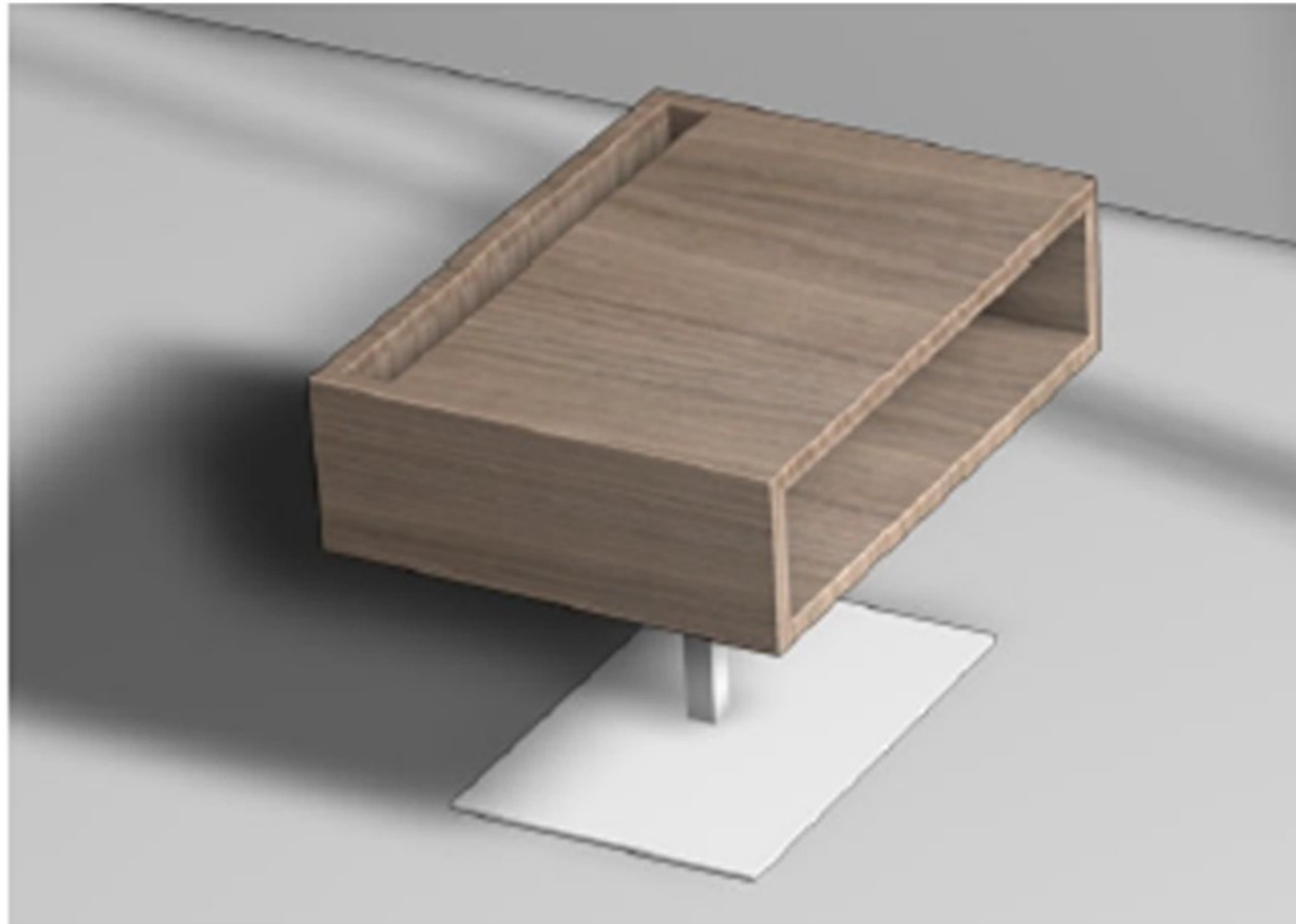
Made in Europe



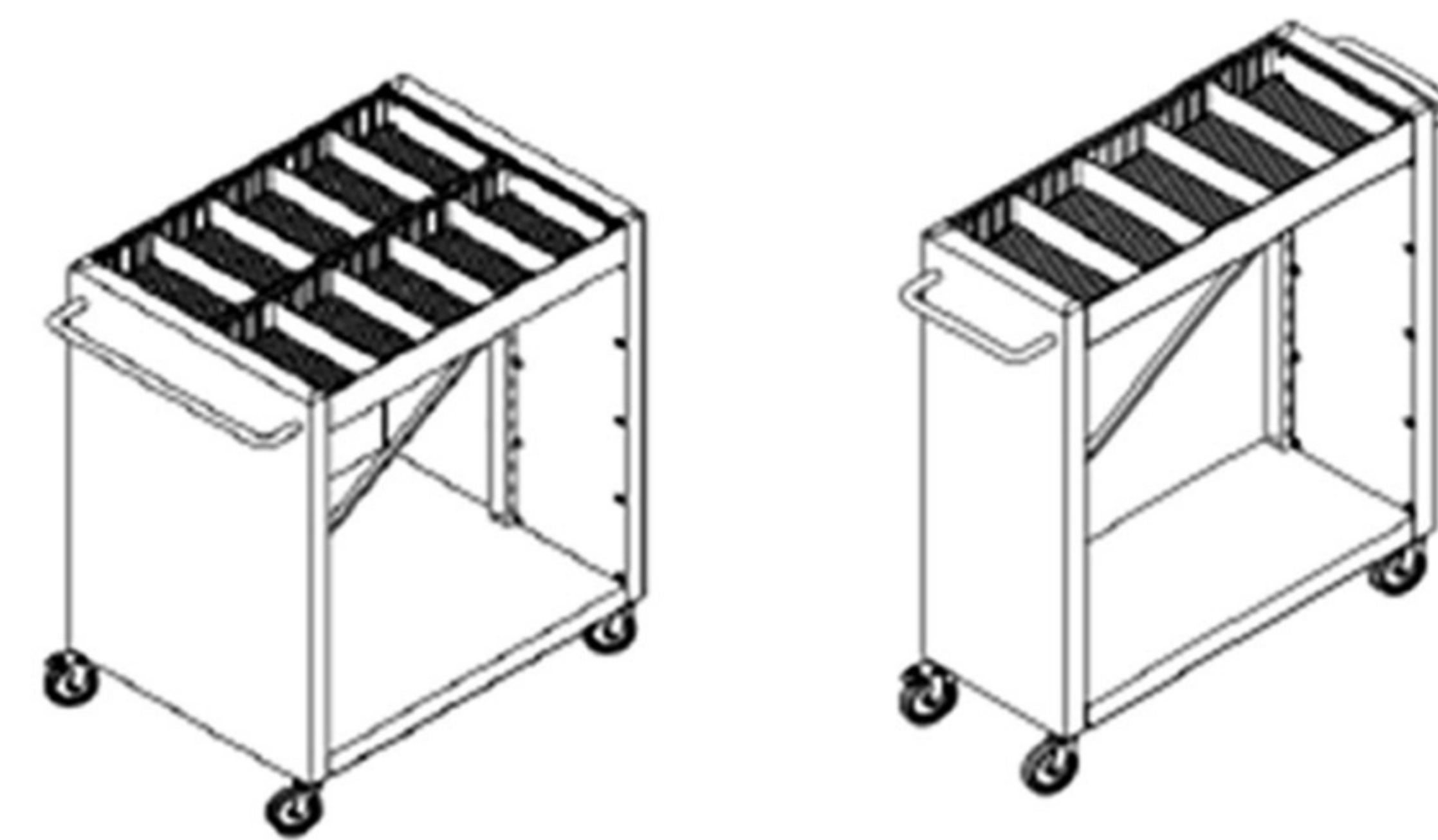
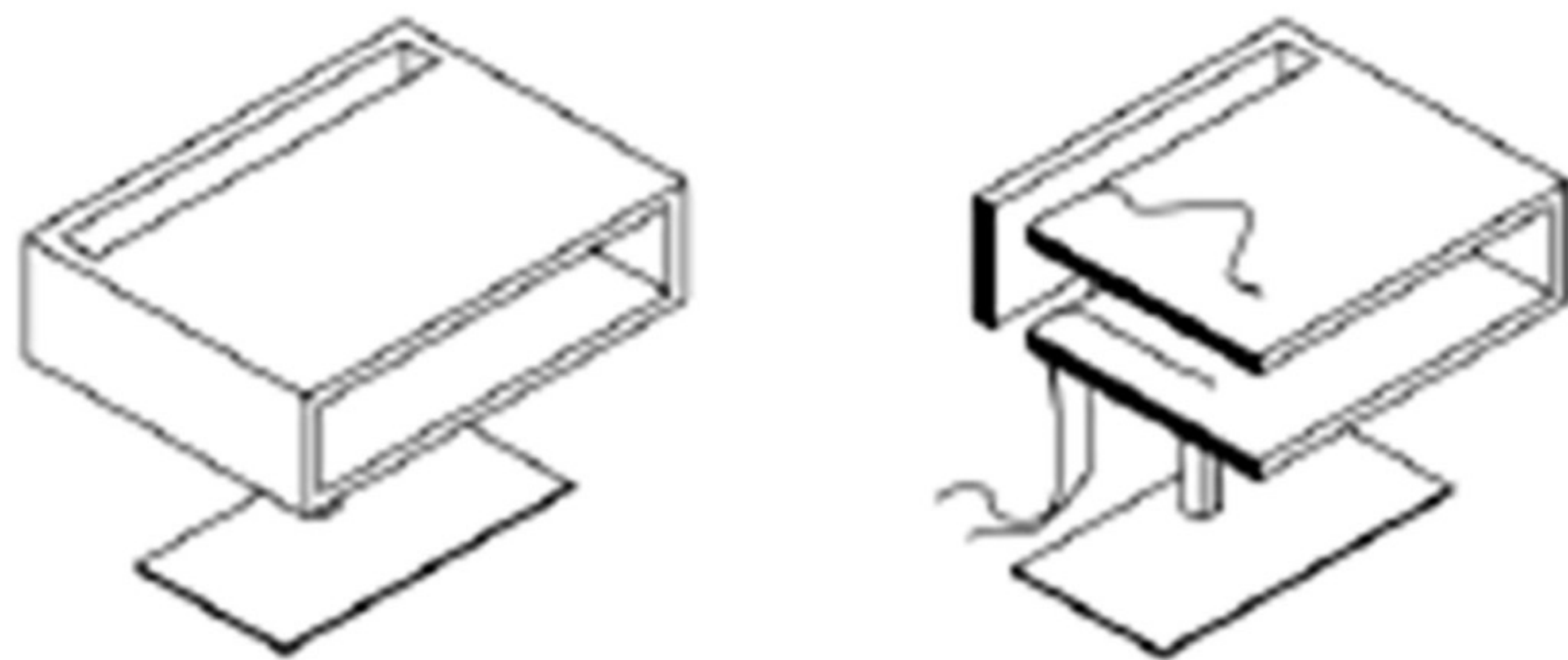
product details

# NOVA COMPLEMENTS

Made in Europe

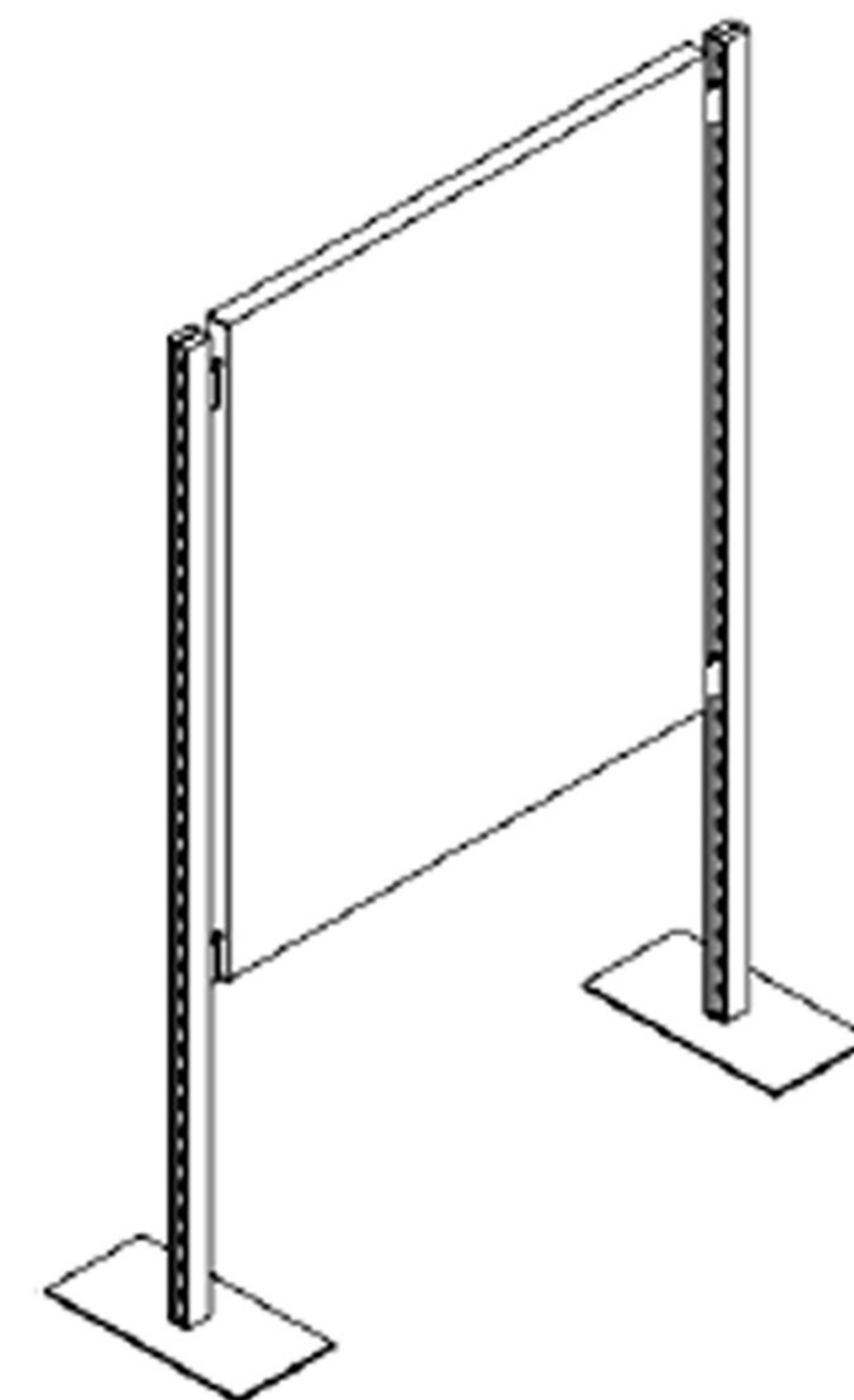


product details



# NOVA COMPLEMENTS

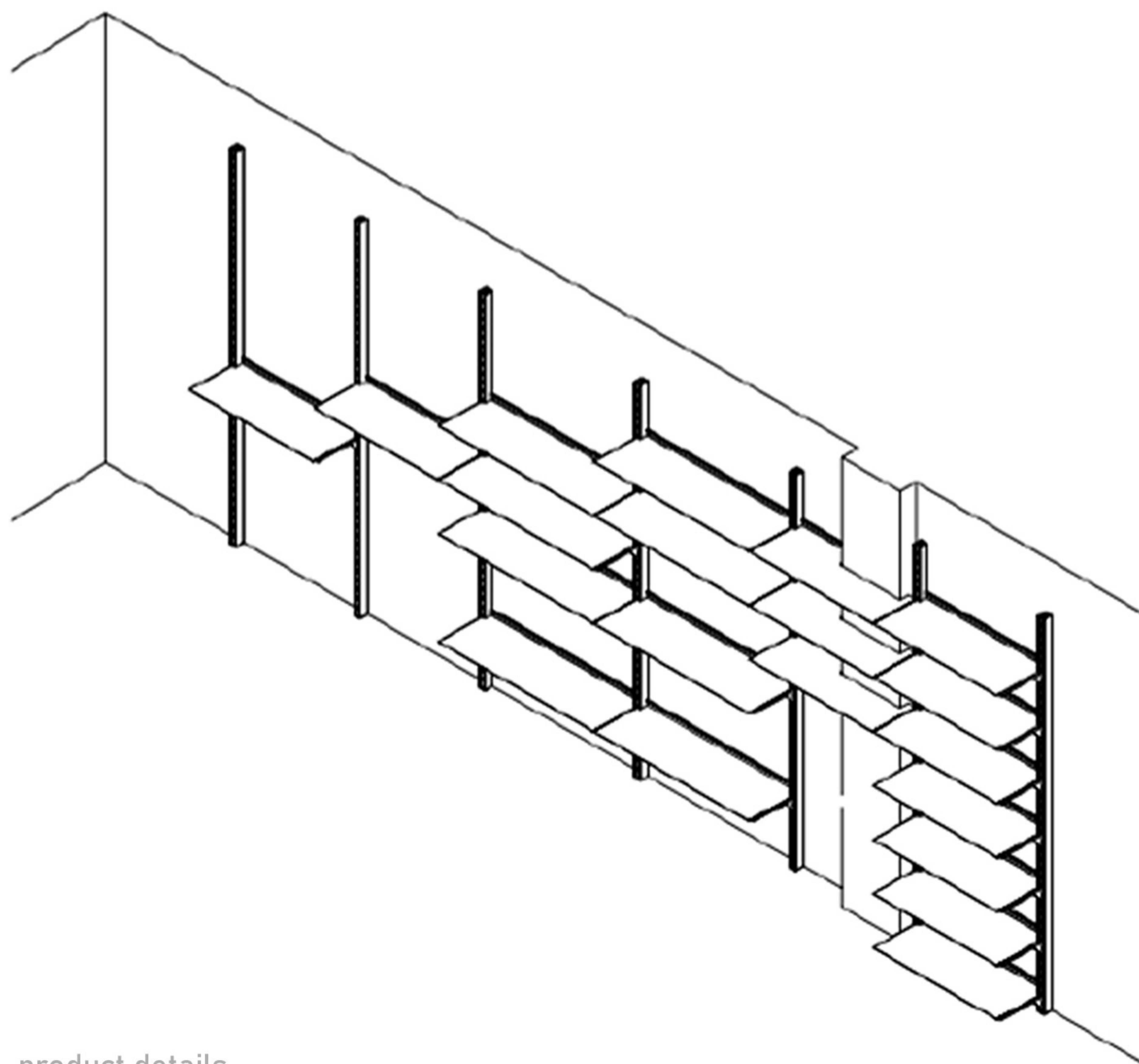
Made in Europe



Paneles expositores

# NOVA RAILS

Made in Europe



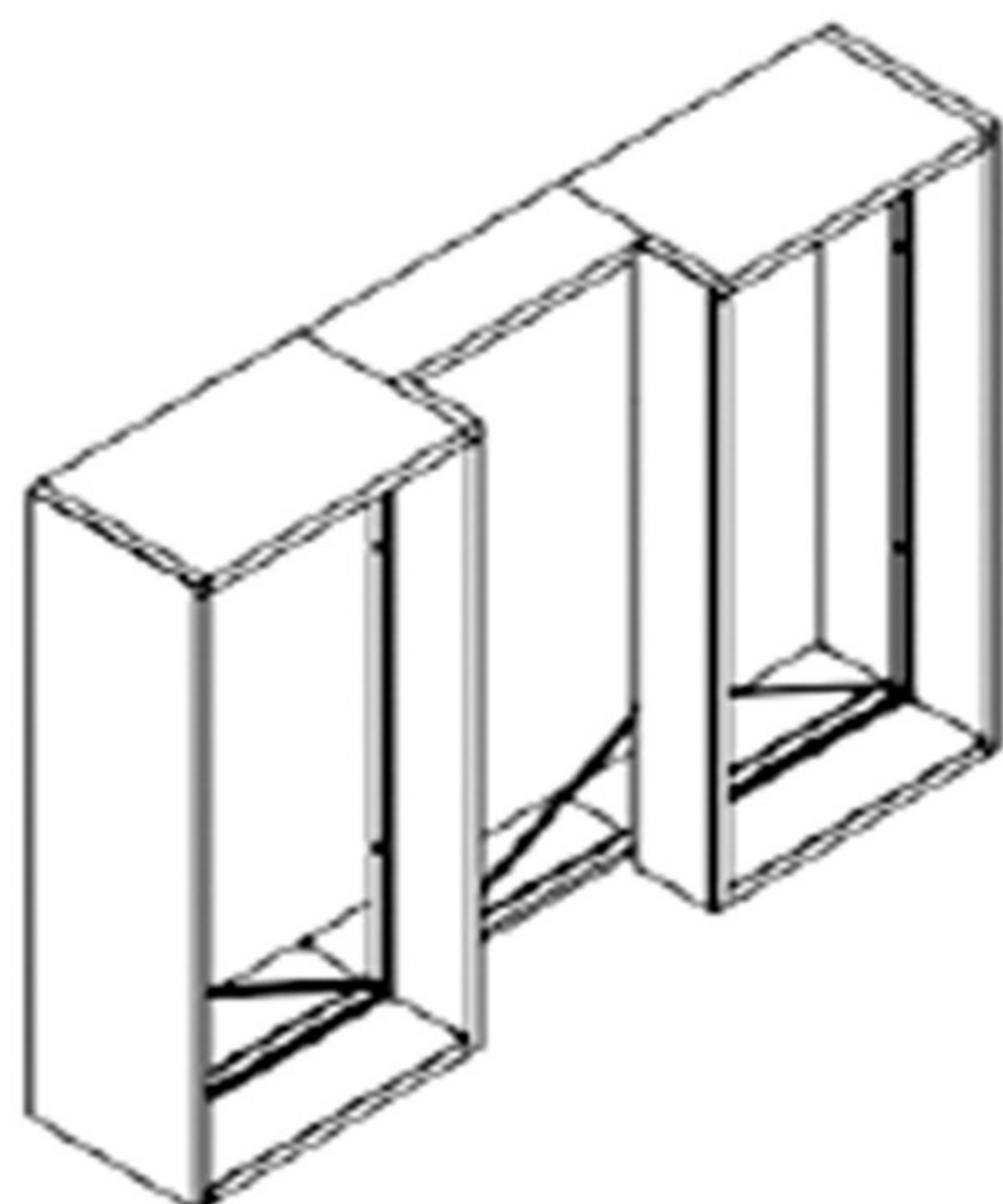
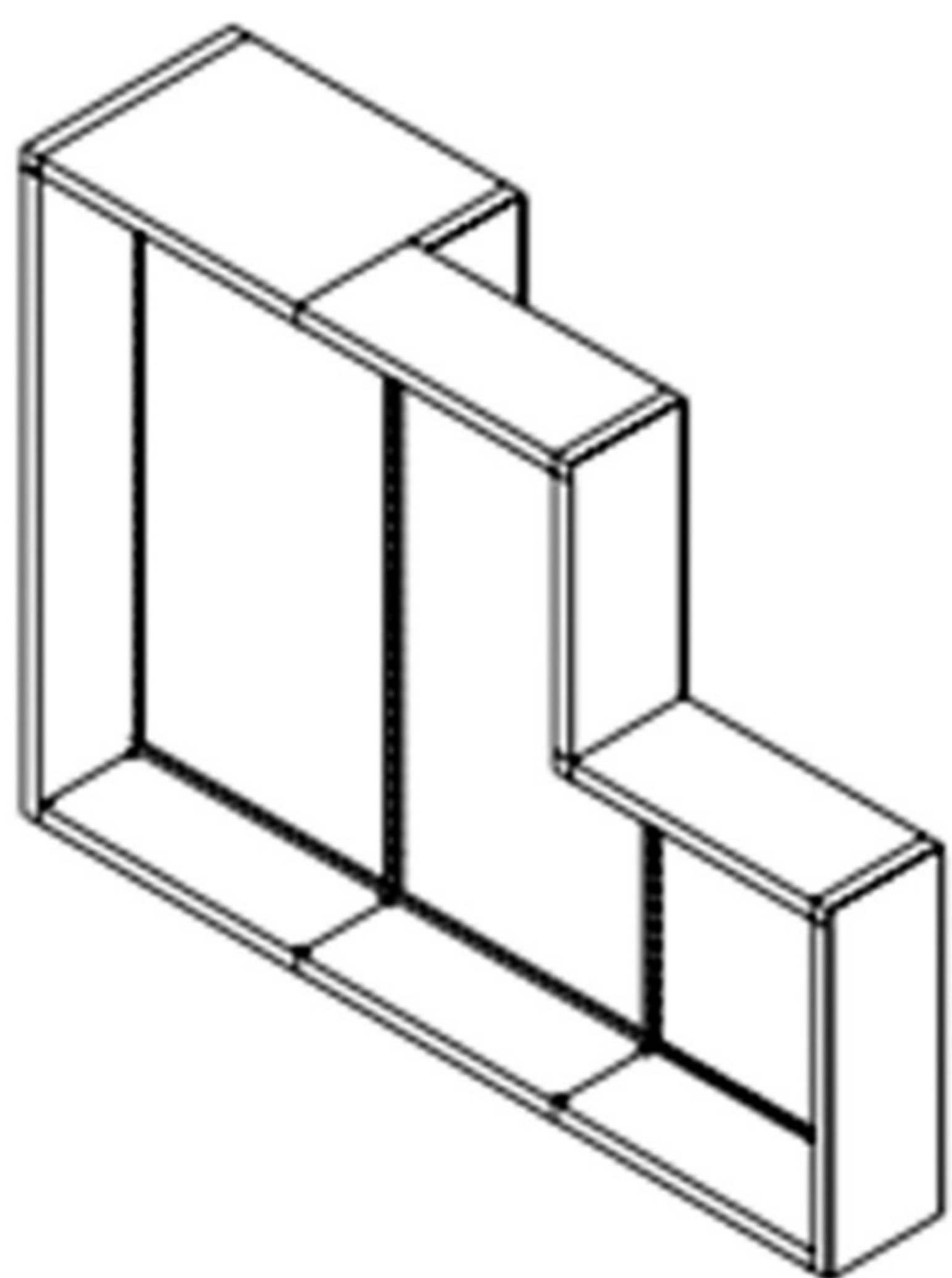
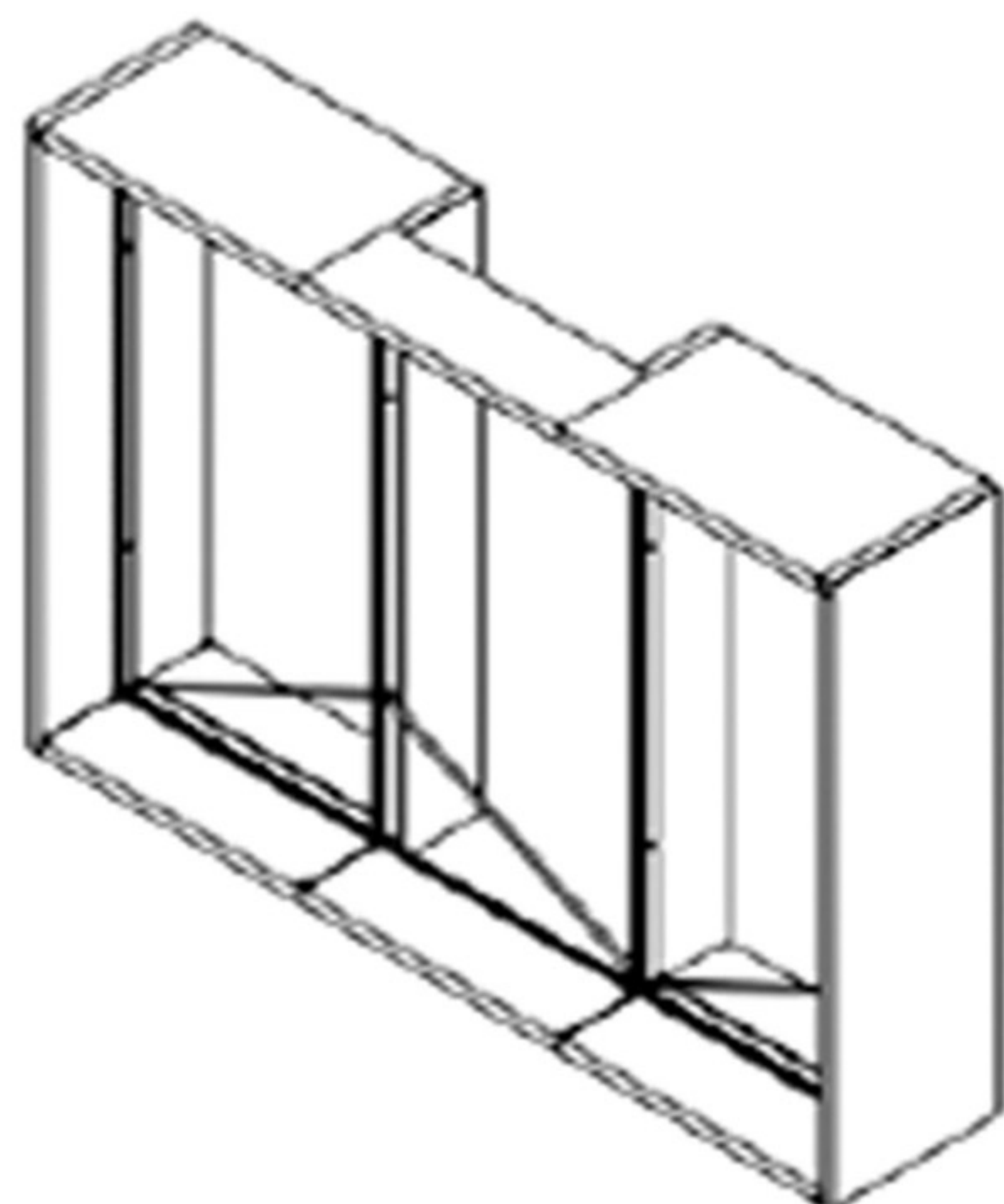
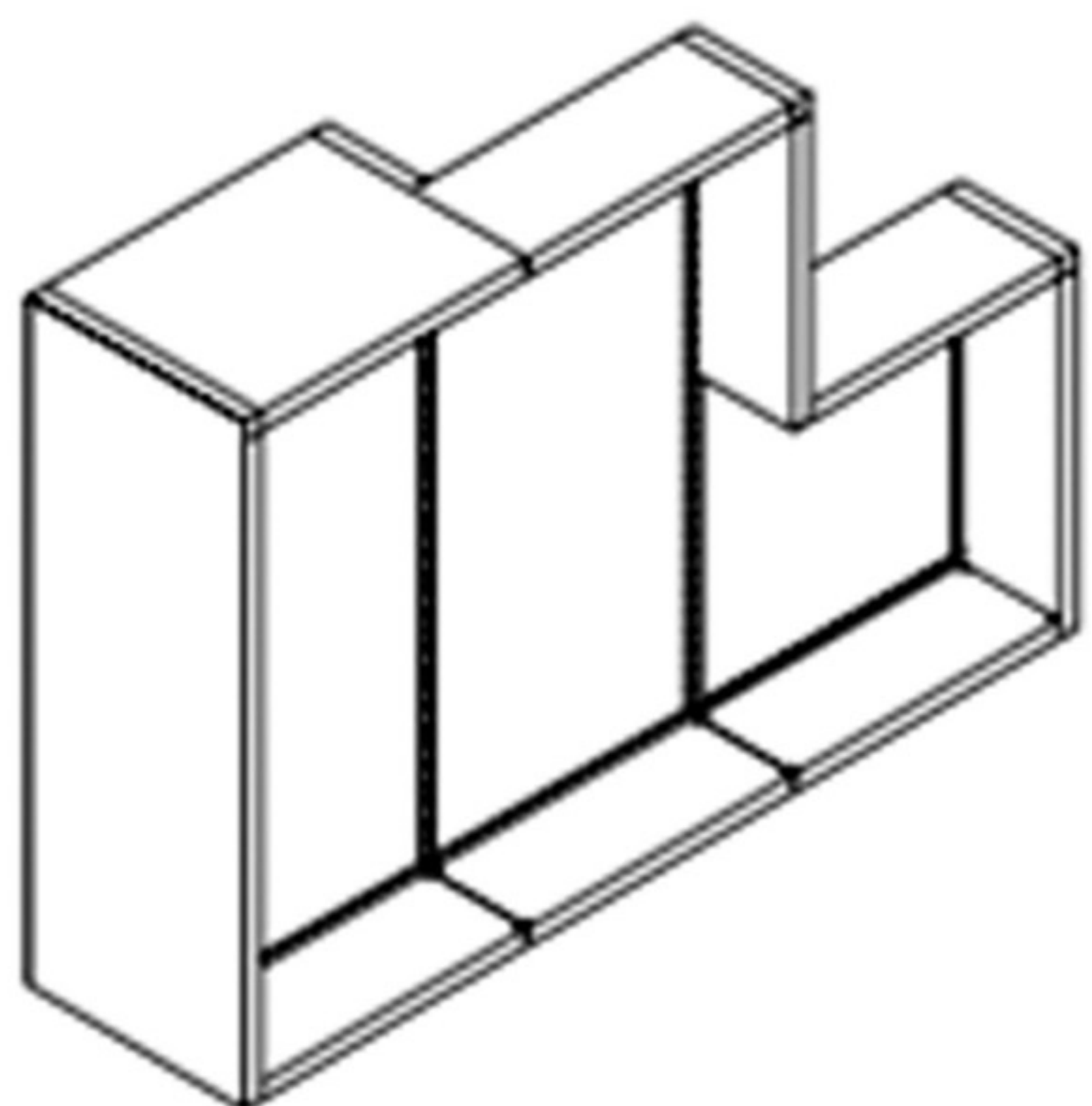
product details





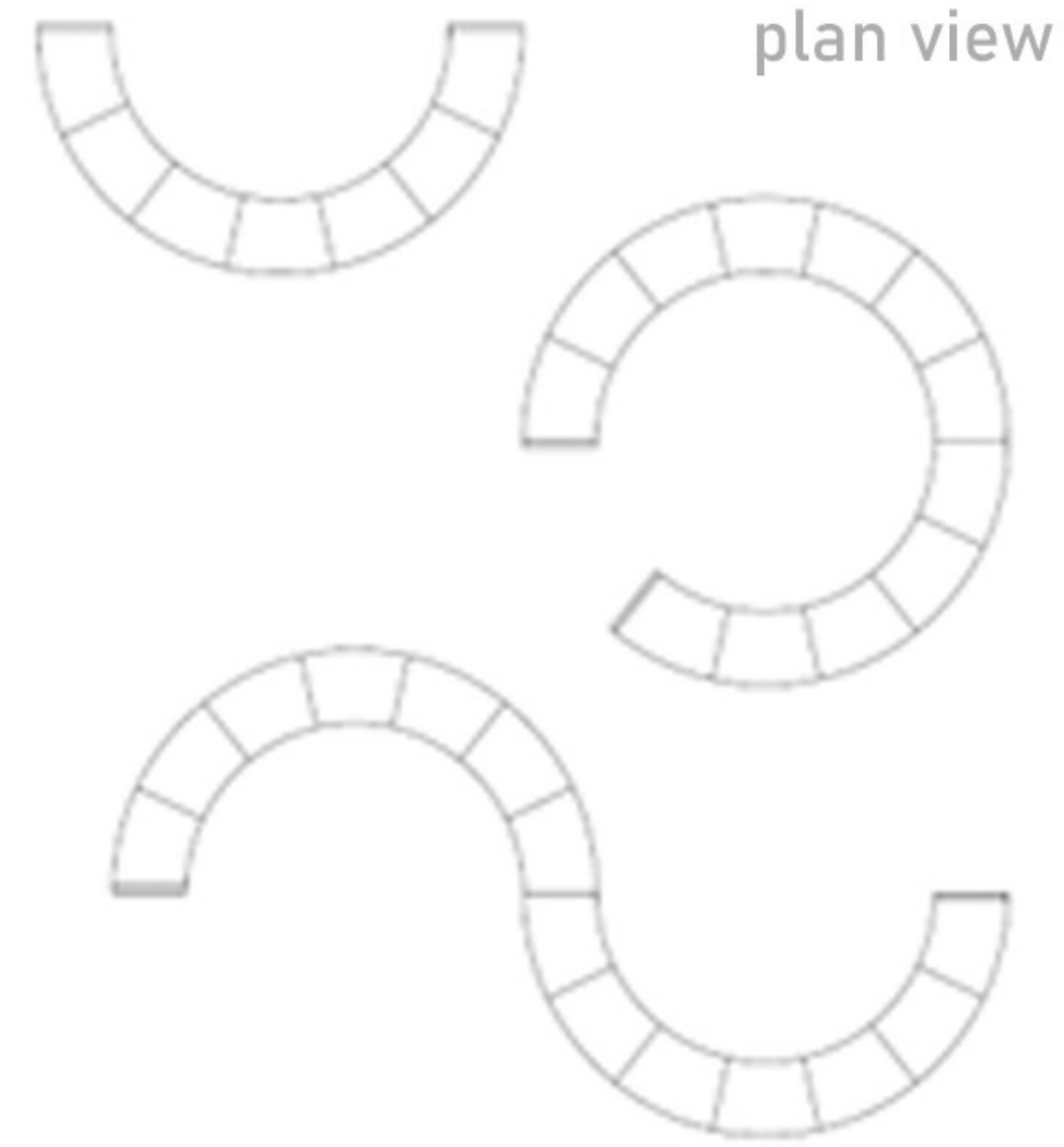
# NOVA IRREGULAR

Made in Europe

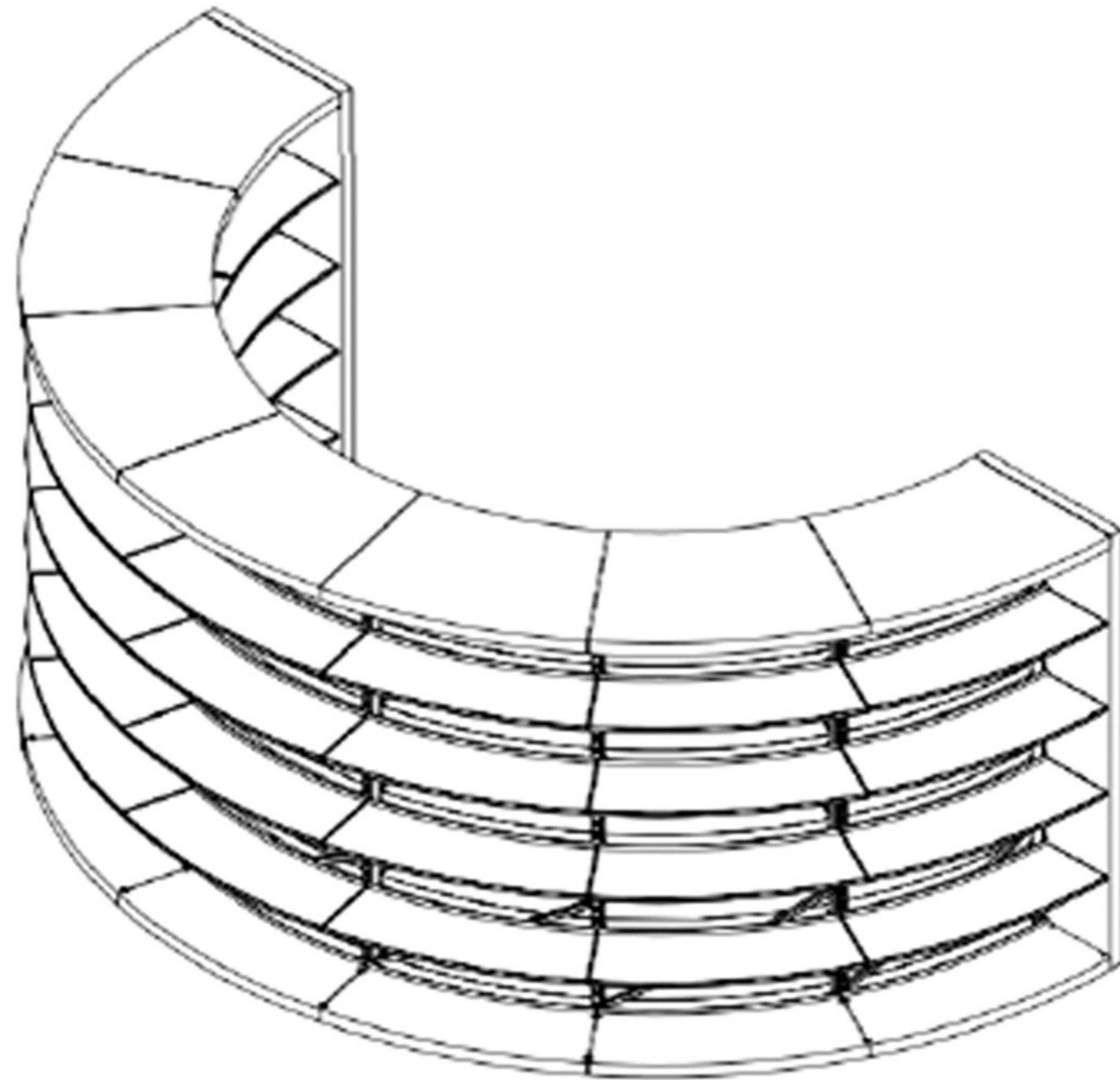


# NOVA IRREGULAR

Made in Europe



plan view

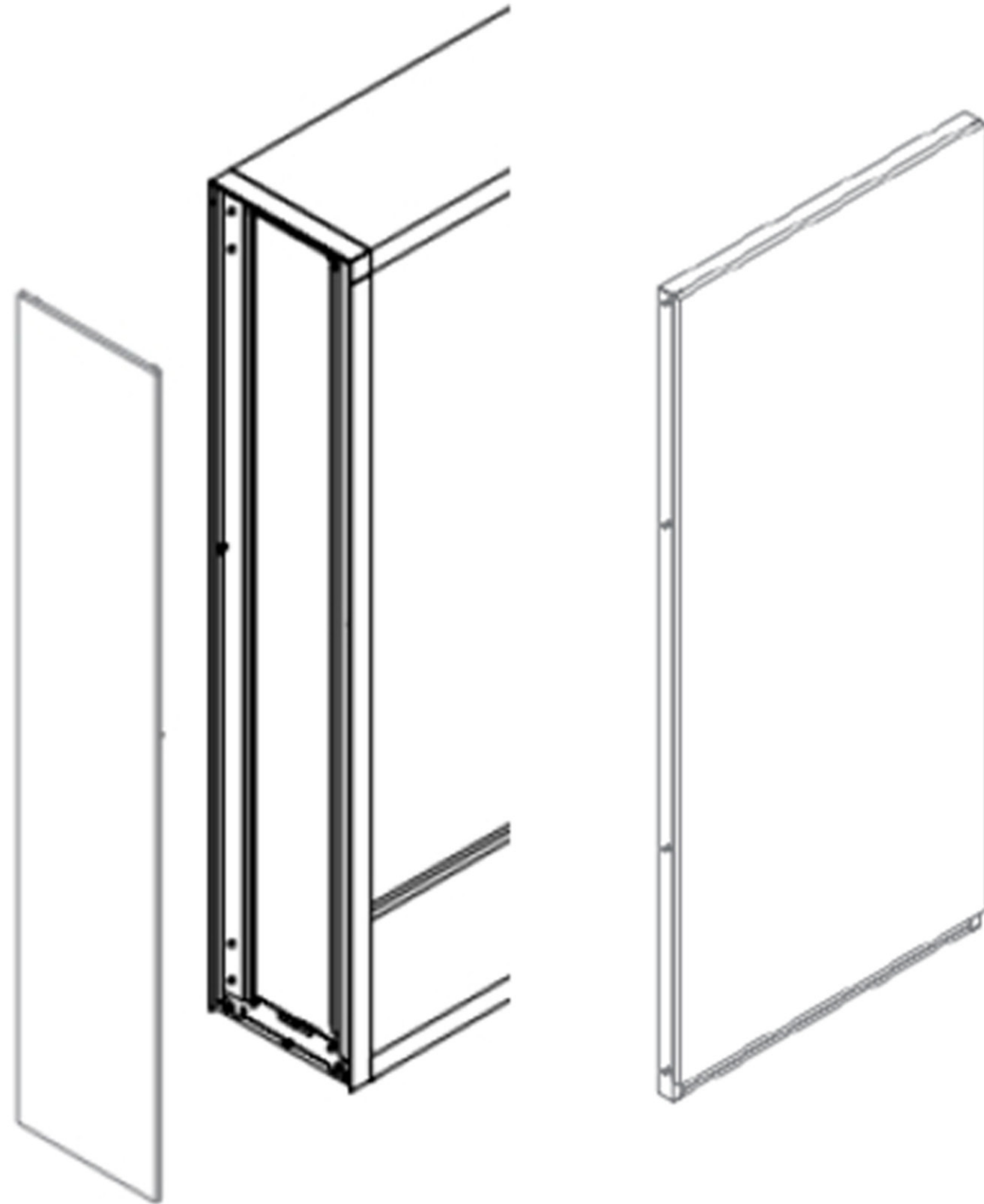


product details

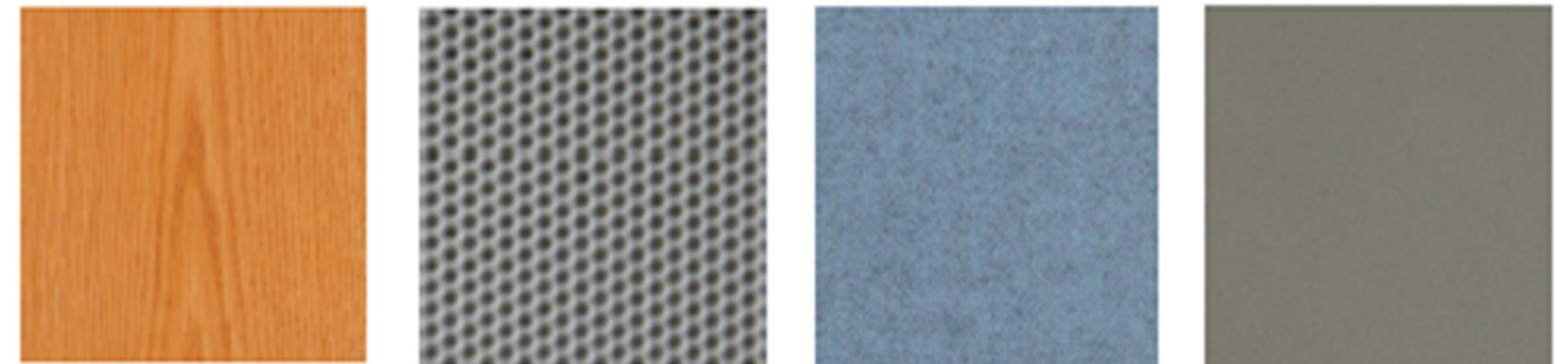


# NOVA PANELS

Made in Europe

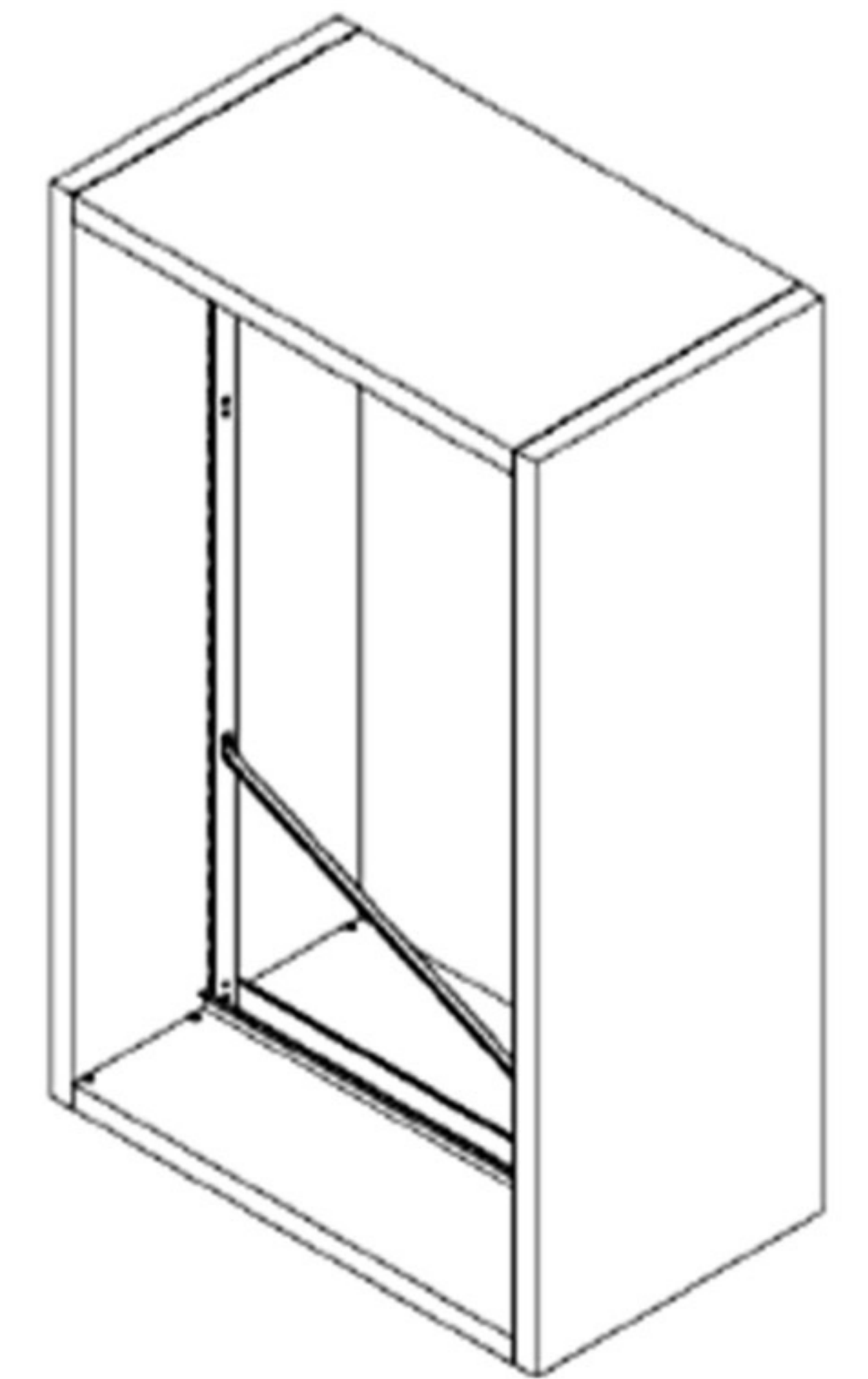
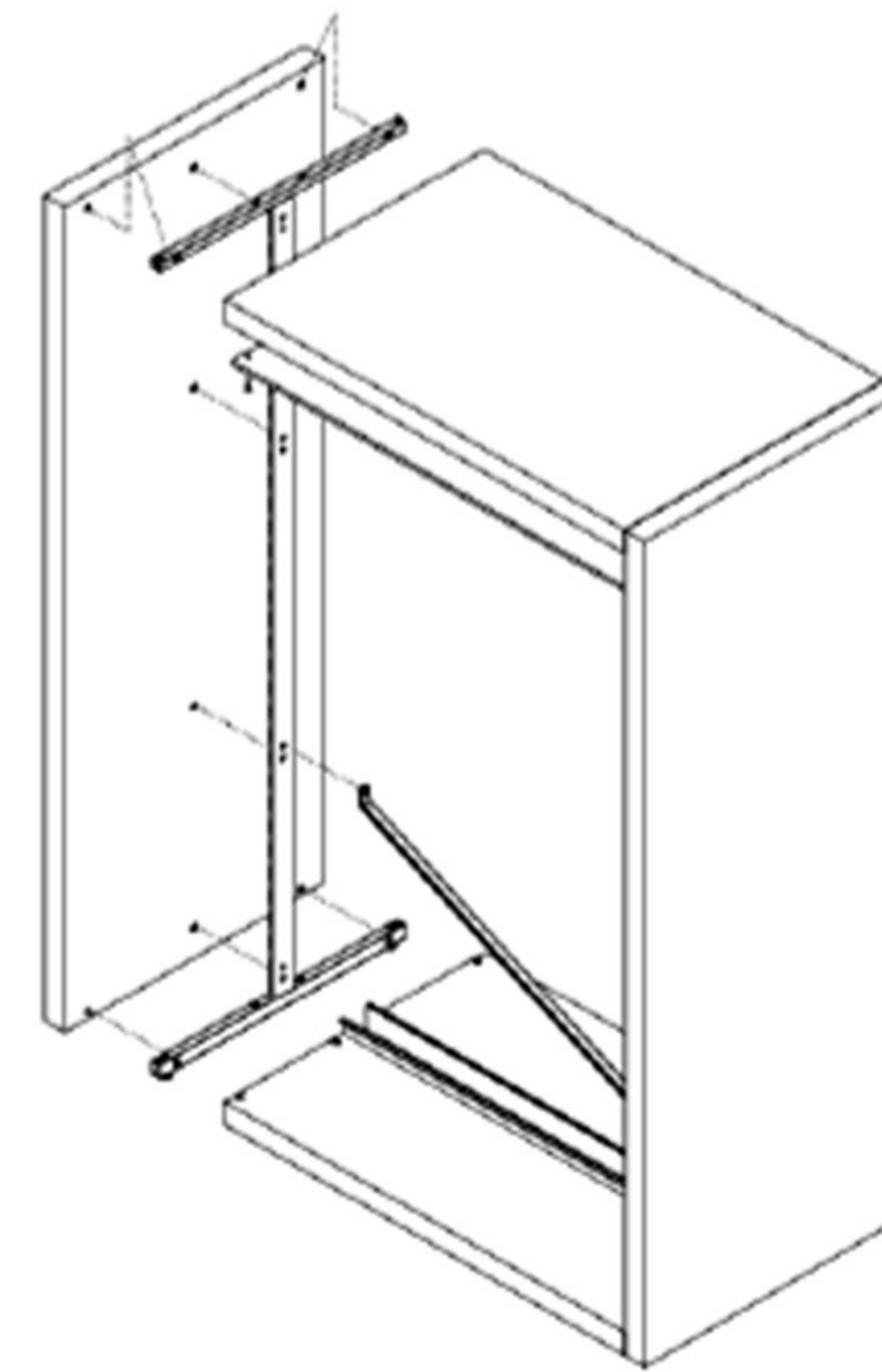


product materials



# NOVA WOOD

Made in Europe



product details

# NOVA CIRCULATION

Made in Europe

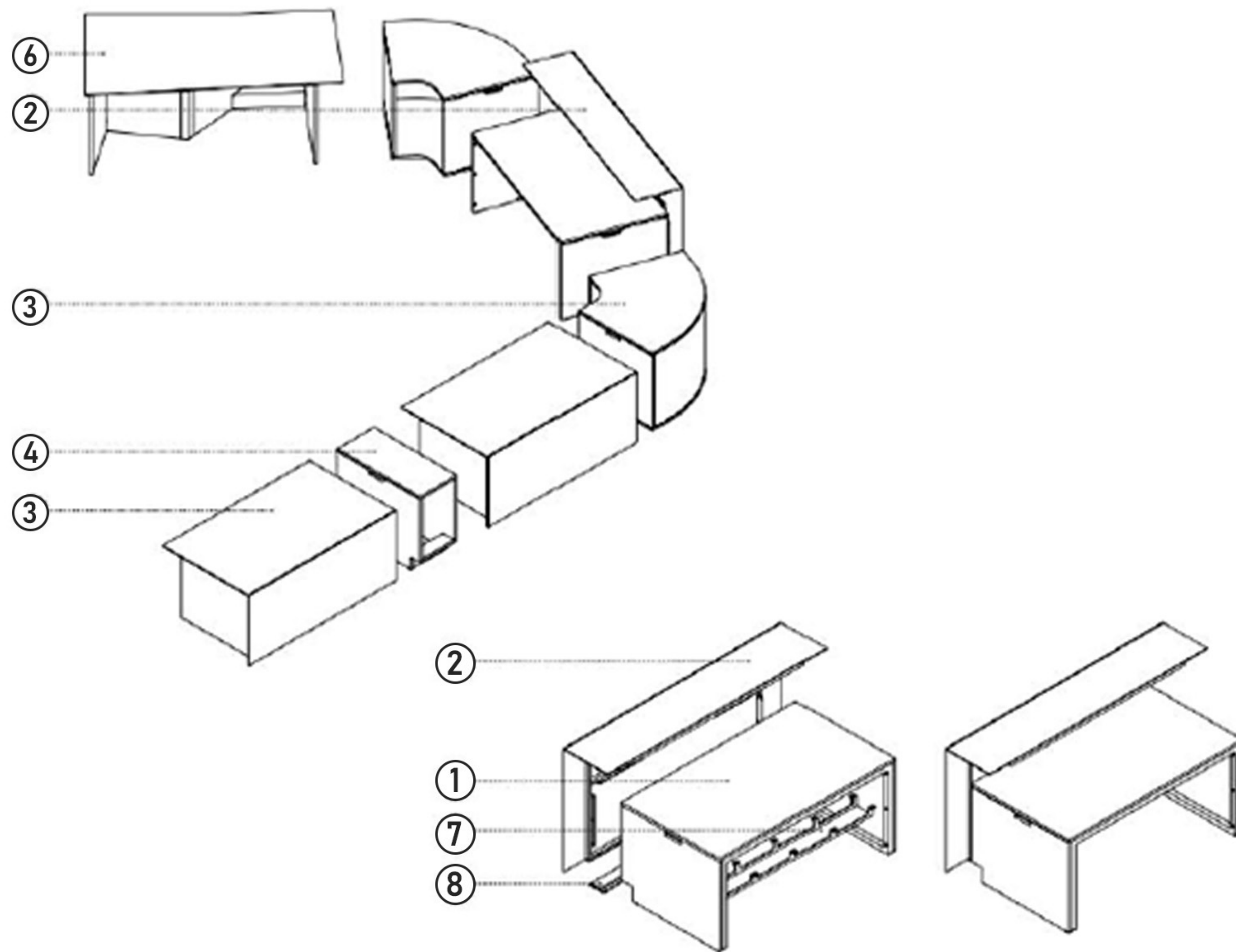


front view

 **MONARQUE**

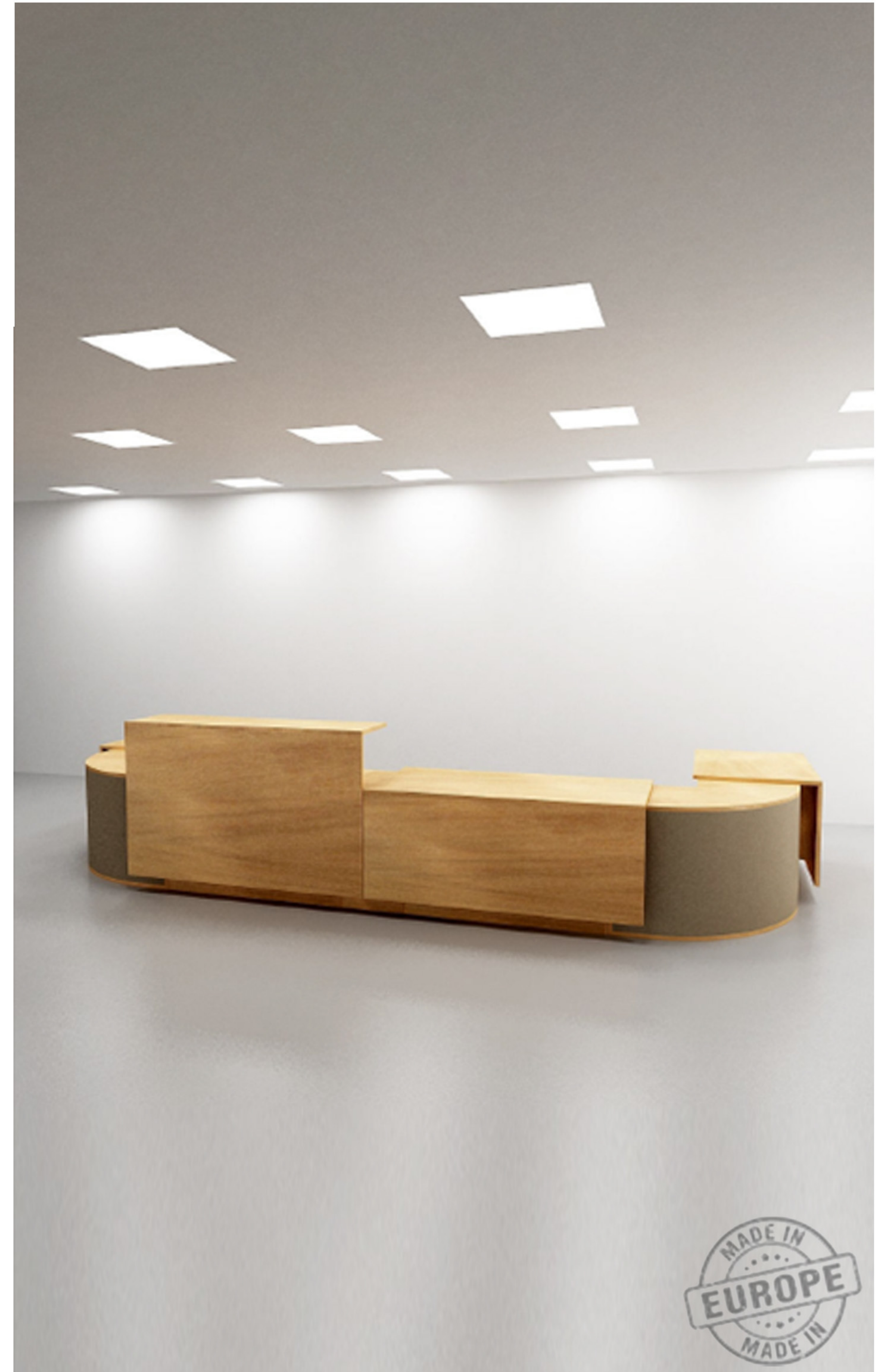
# NOVA CIRCULATION

Made in Europe



## product details

- 1 reception set
- 2 high frontal panel
- 3 frontal panel
- 4 reception continuation set
- 5 modulo de canto
- 6 reception set with panel for personalized service wheelchair
- 7 cable conduct
- 8 illumination kit



# NOVA CIRCULATION

Made in Europe



# NOVA CIRCULATION

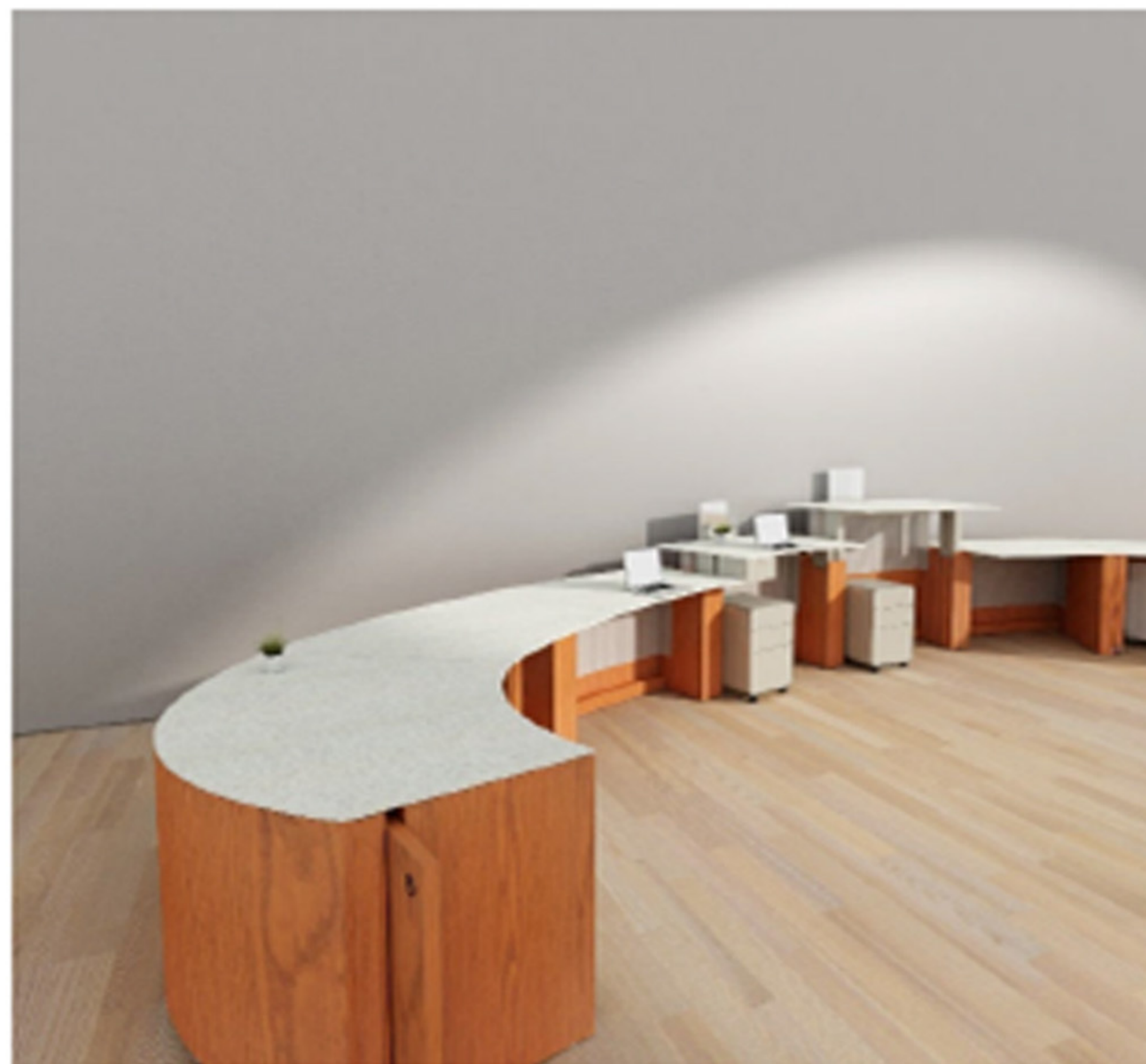
Made in Europe





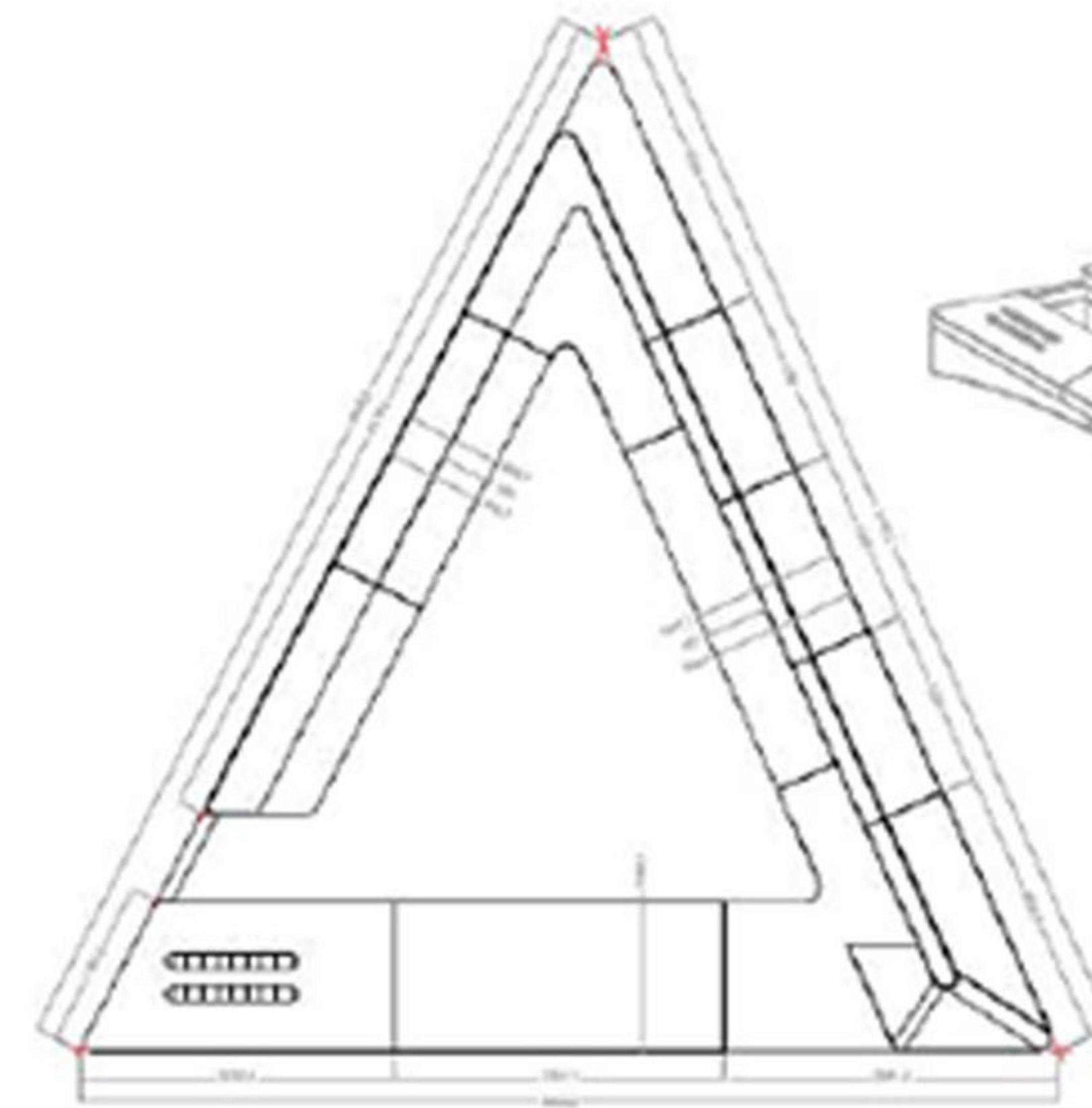
# NOVA CIRCULATION

Made in Europe

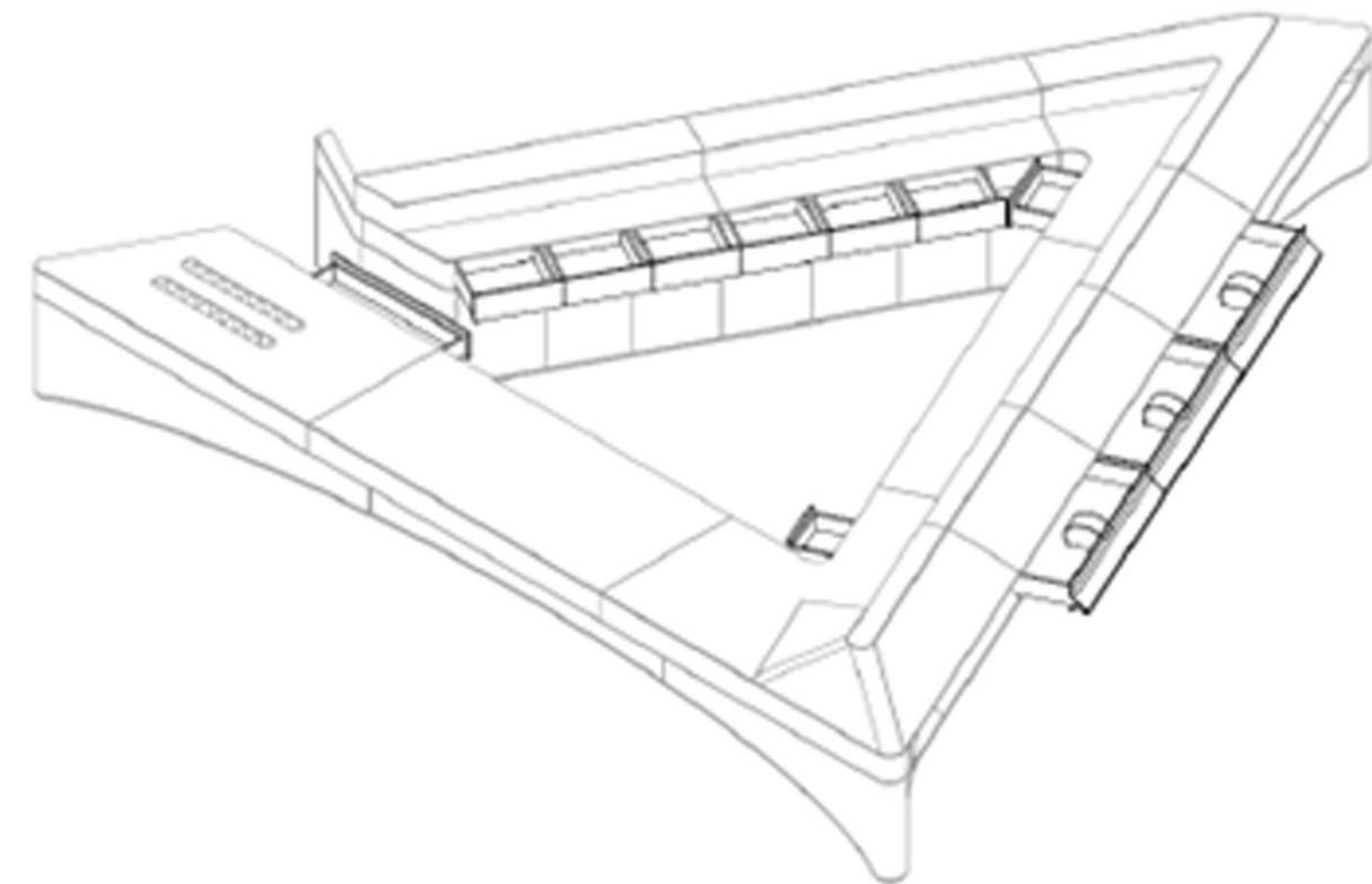
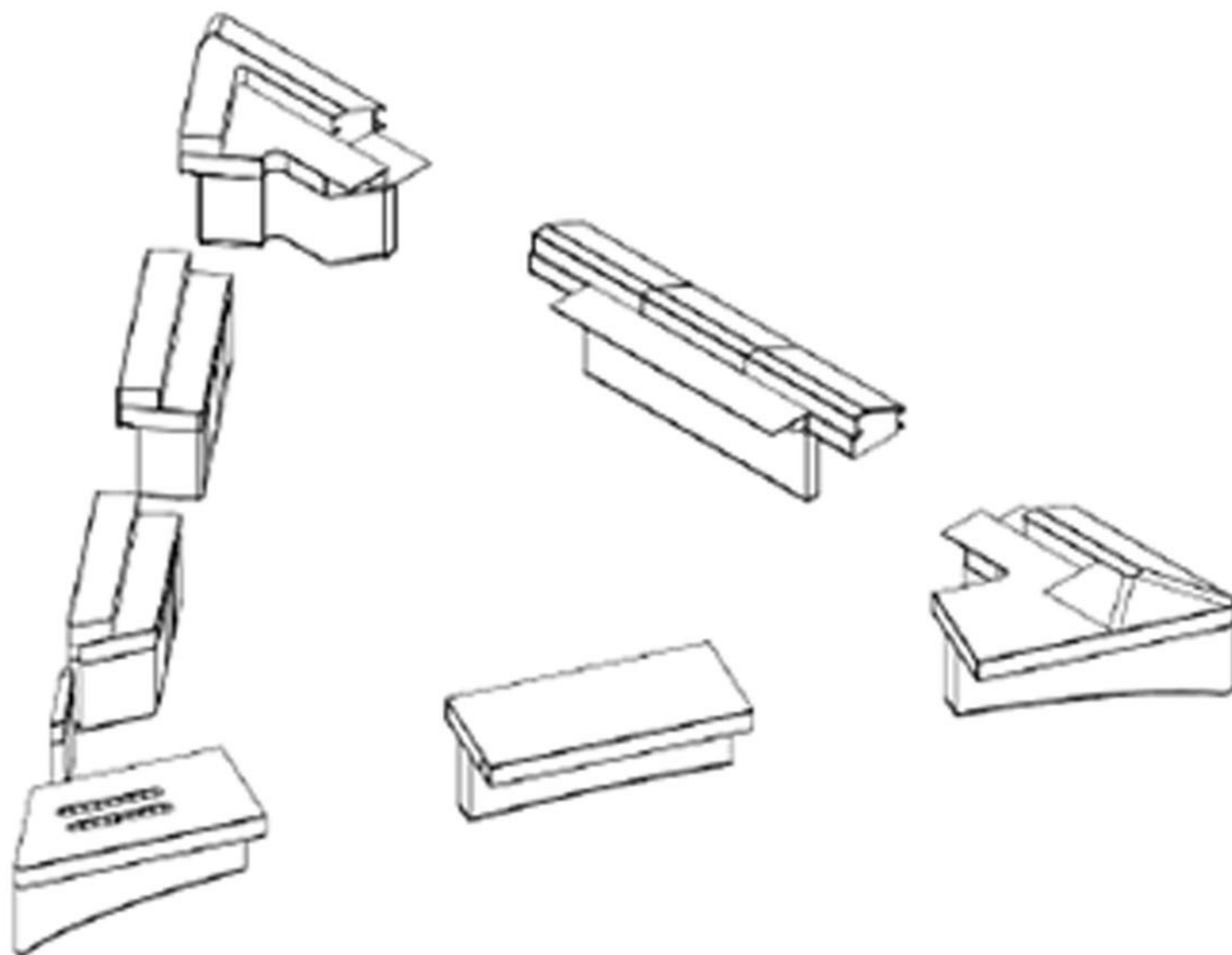
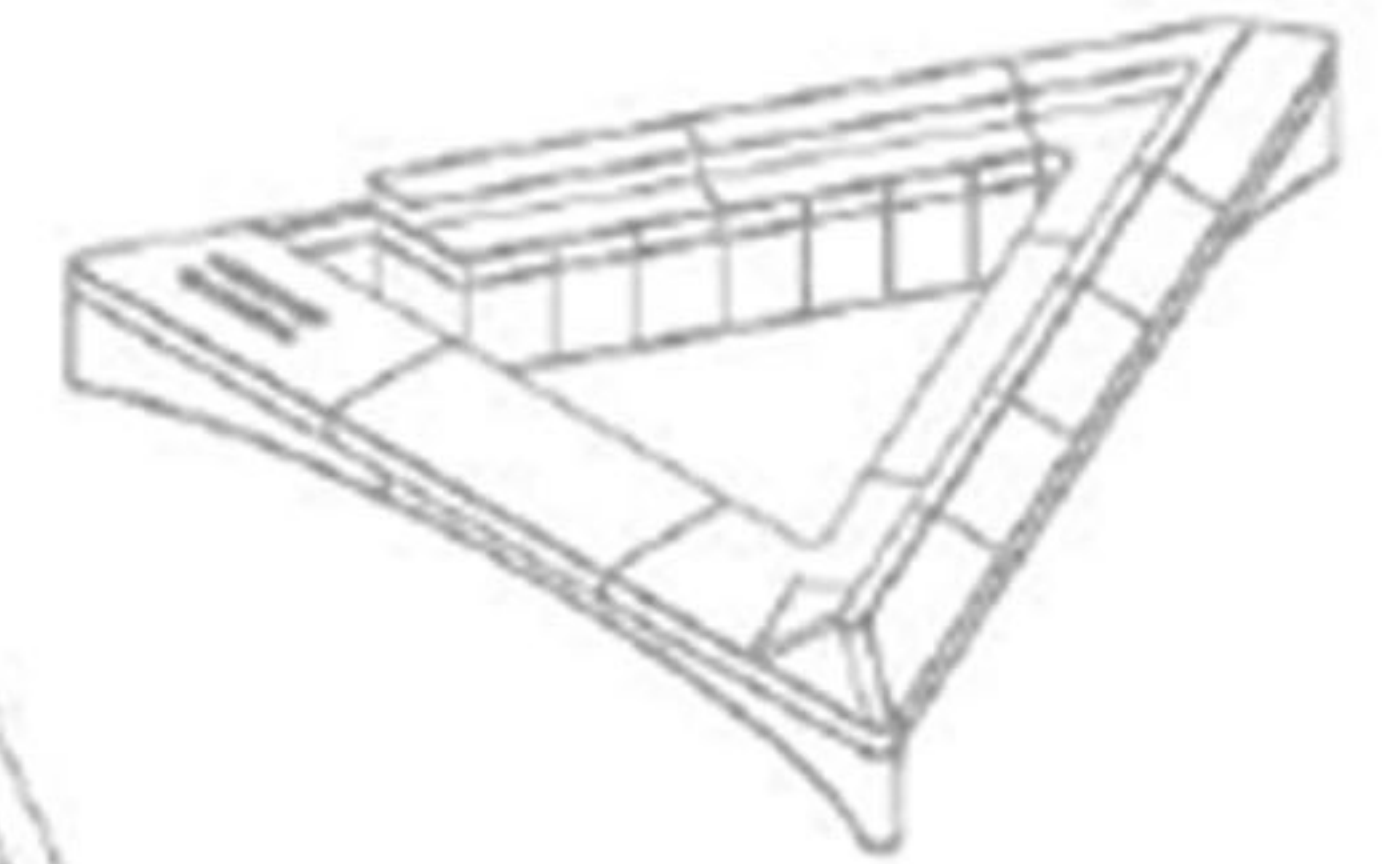


# CUSTOM CIRCULATION

Made in Europe

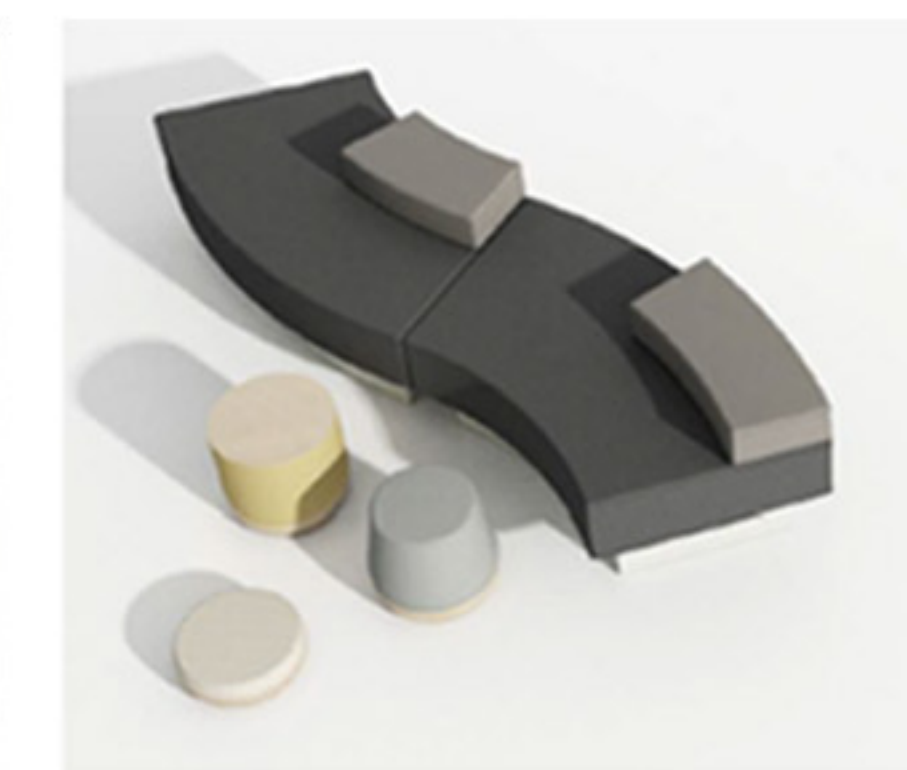
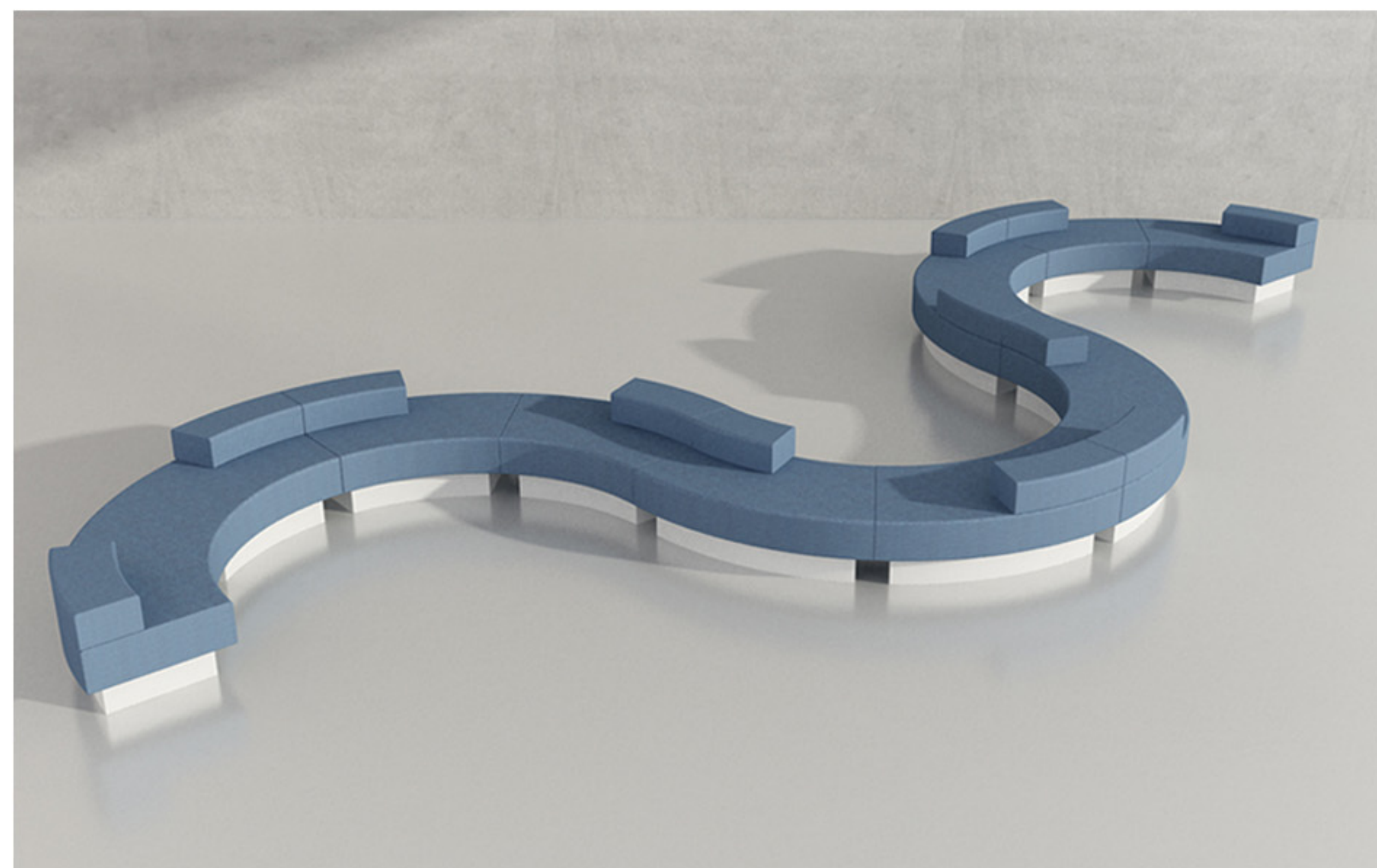
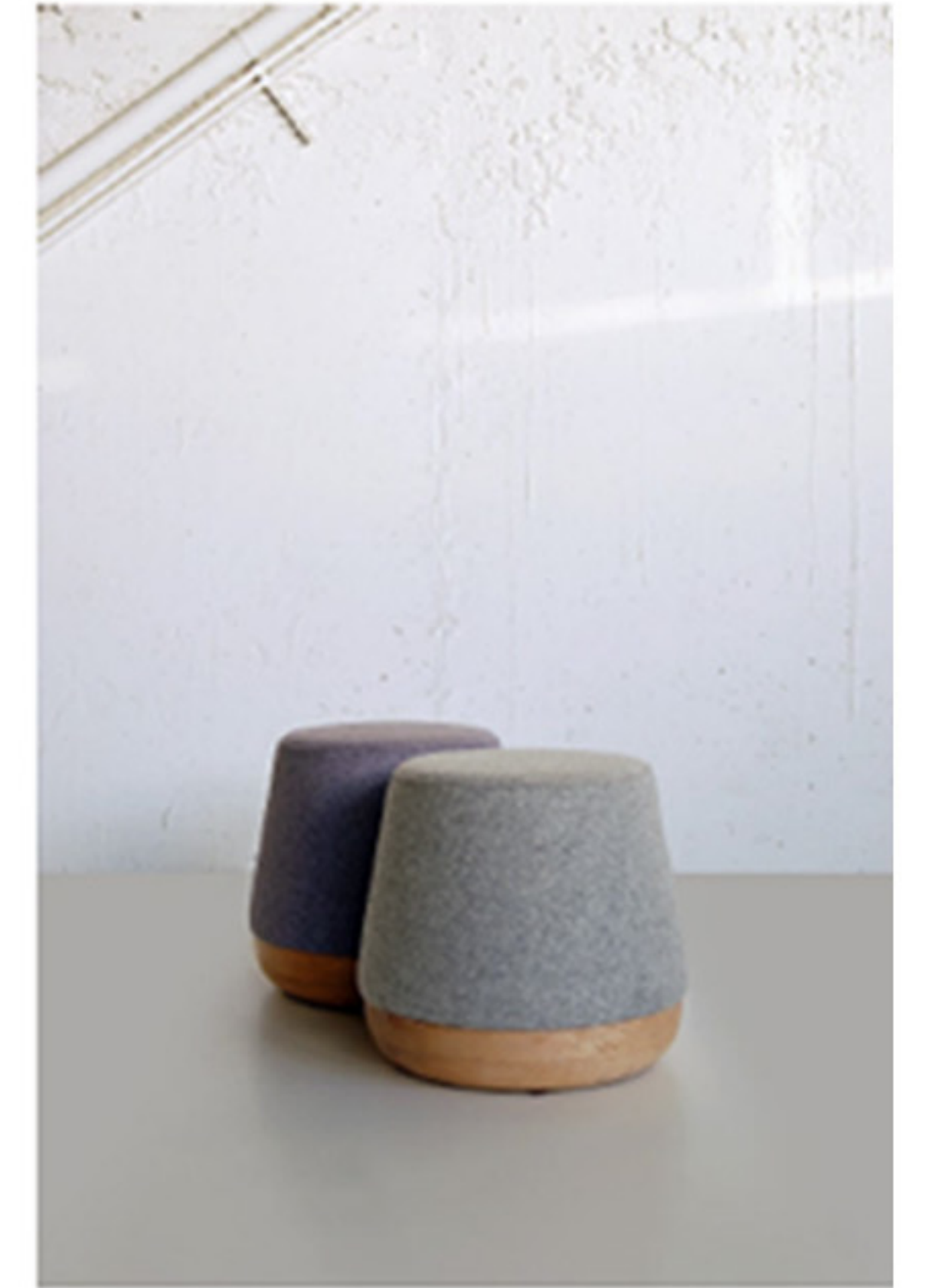
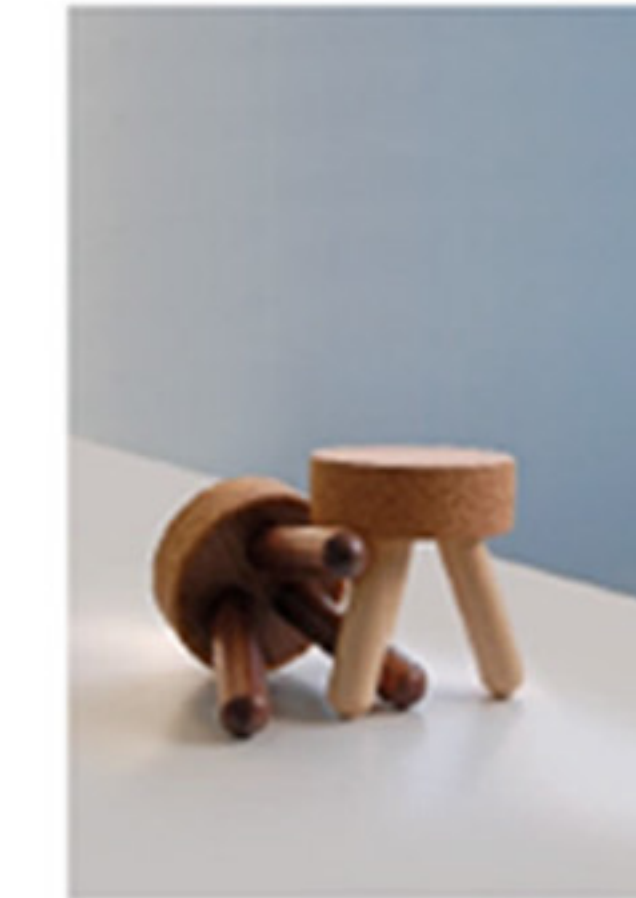
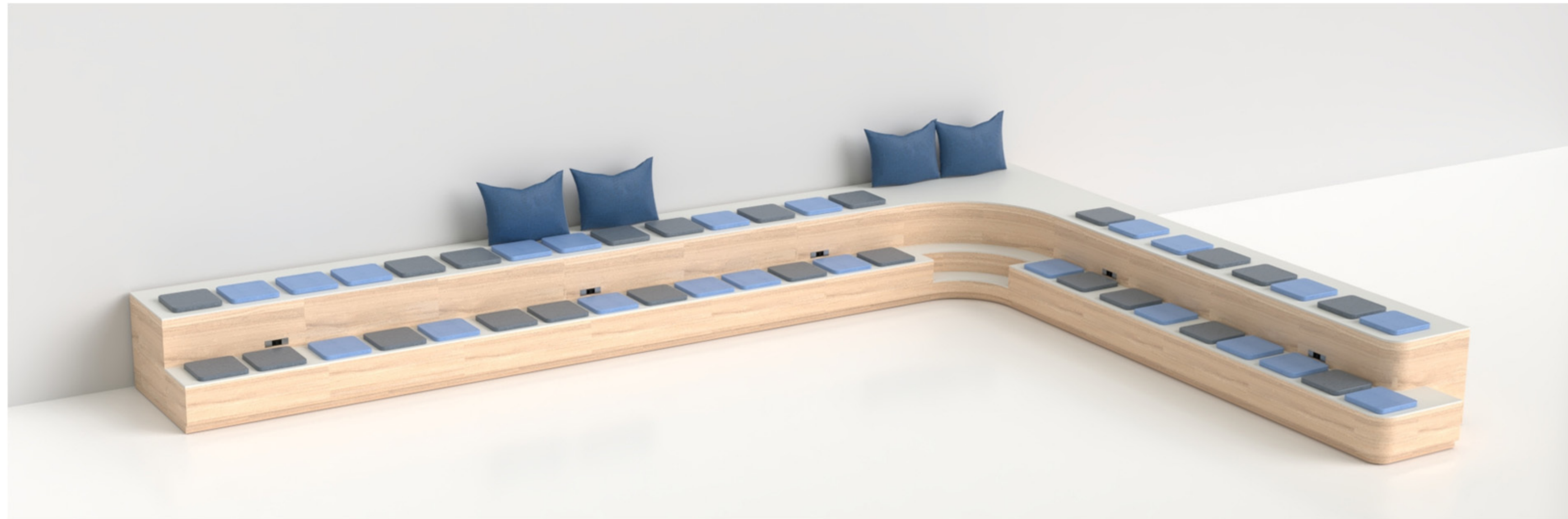


product details



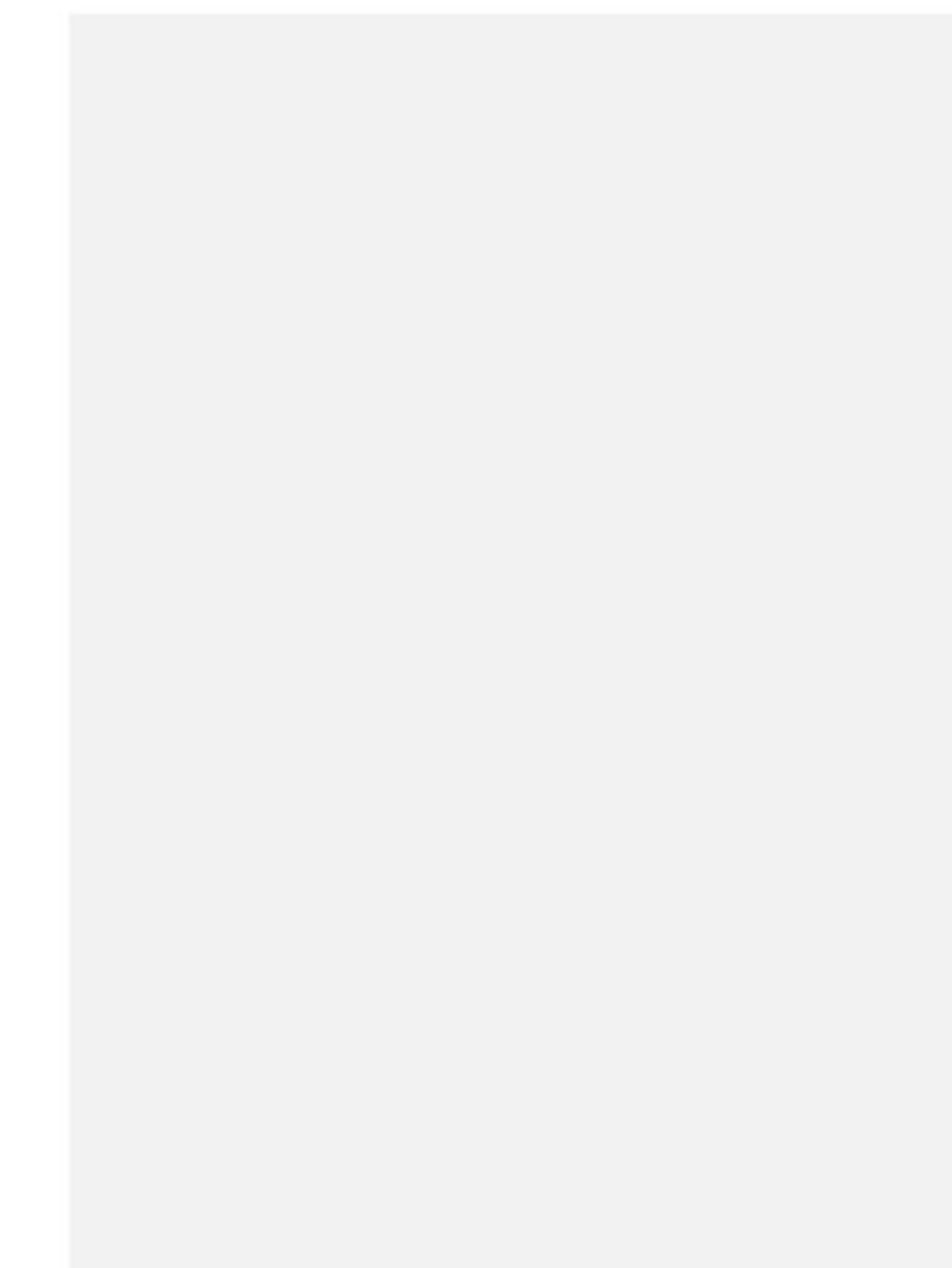
# NOVA LOUNGE

Made in Europe



# MONARQUE EXTRAS

Made in Europe



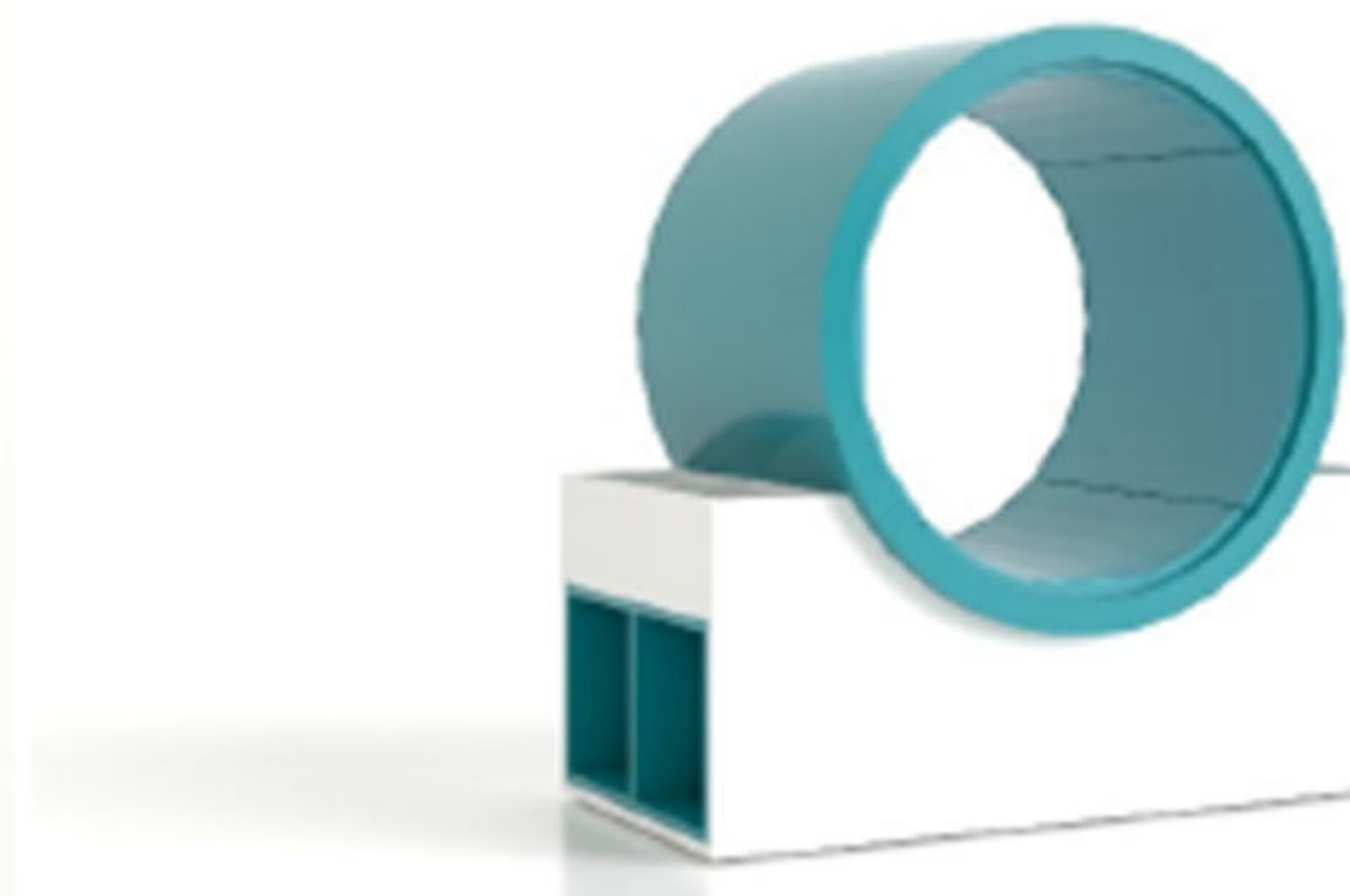
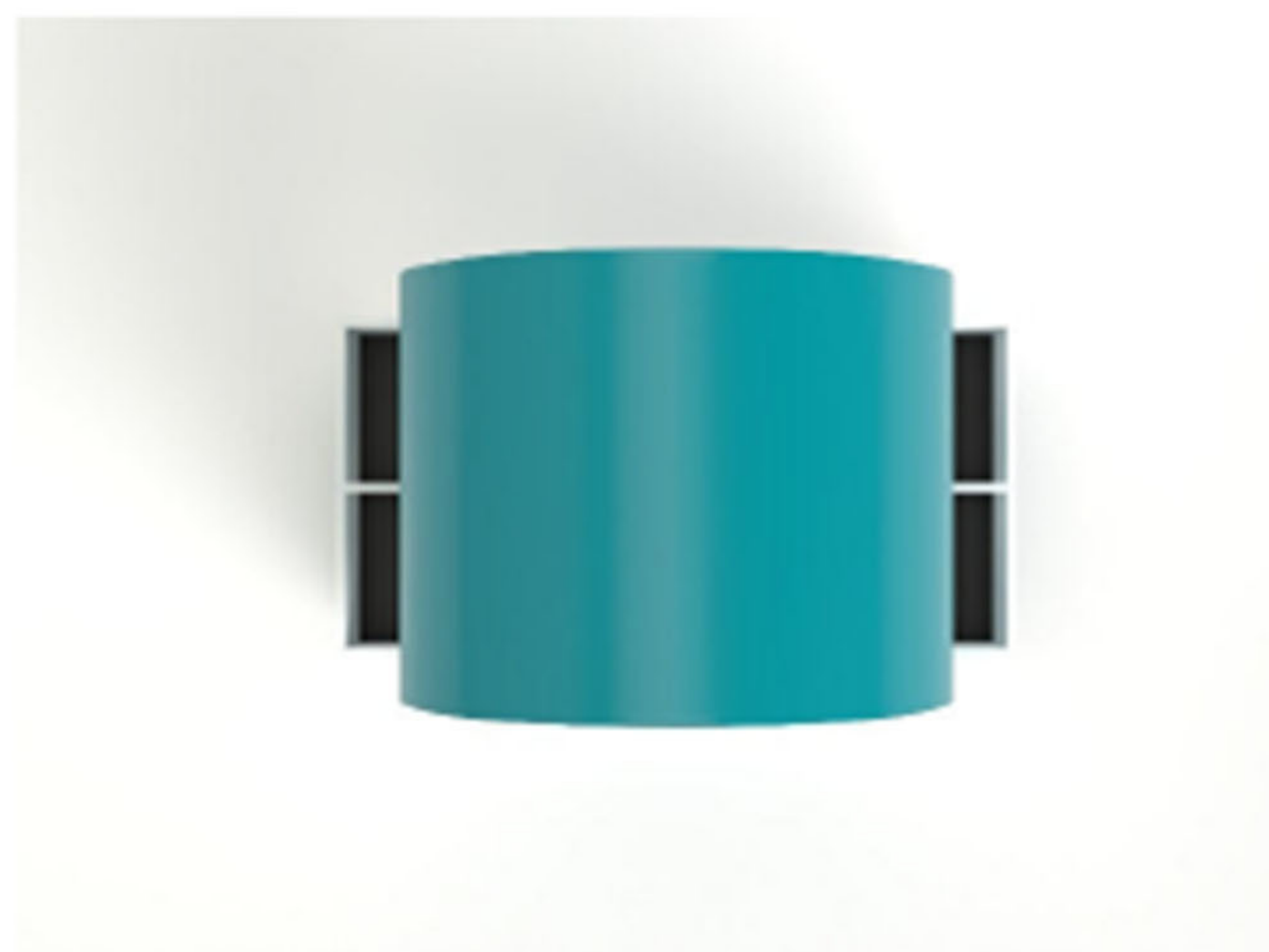
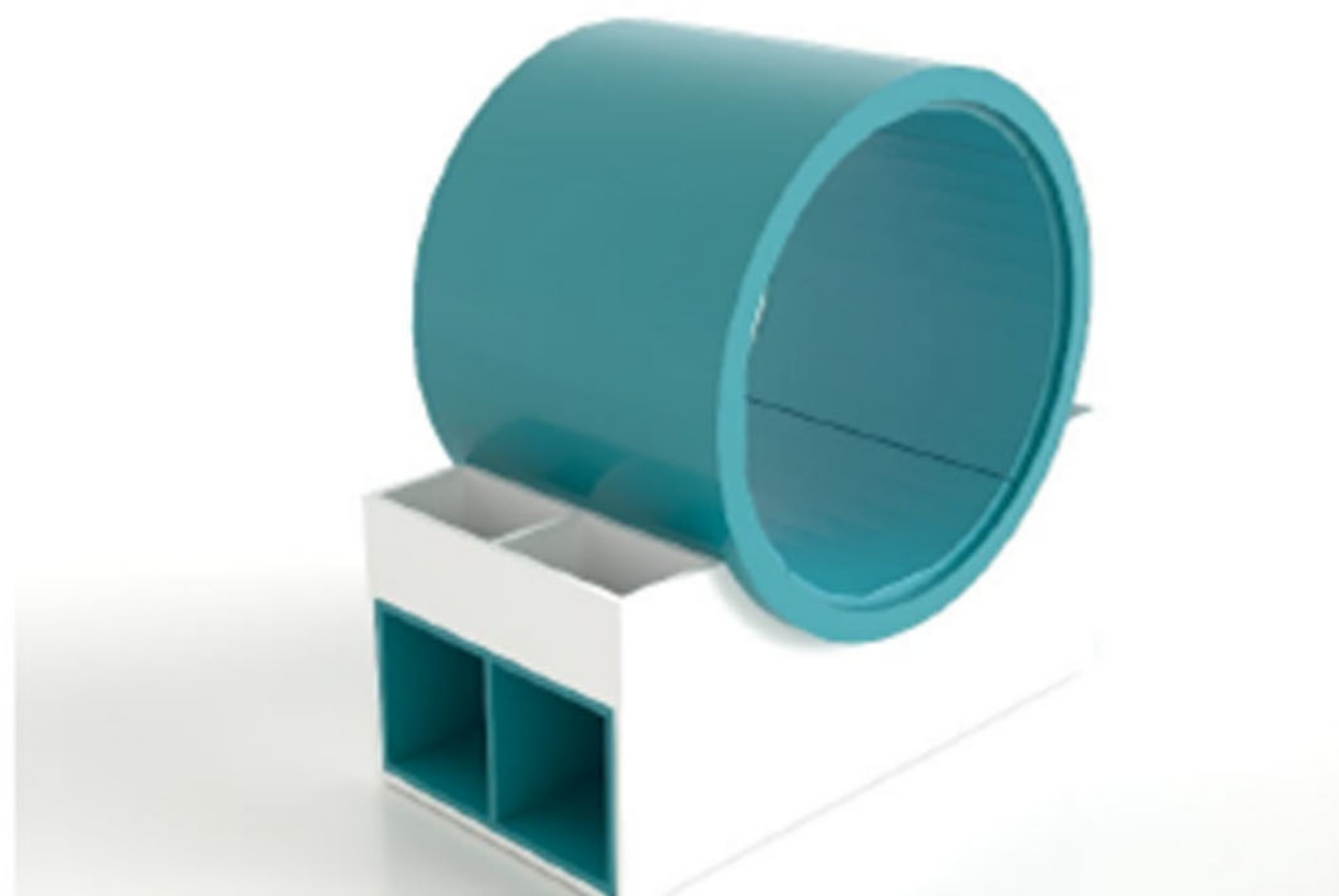
# MONARQUE EXTRAS

Made in Europe



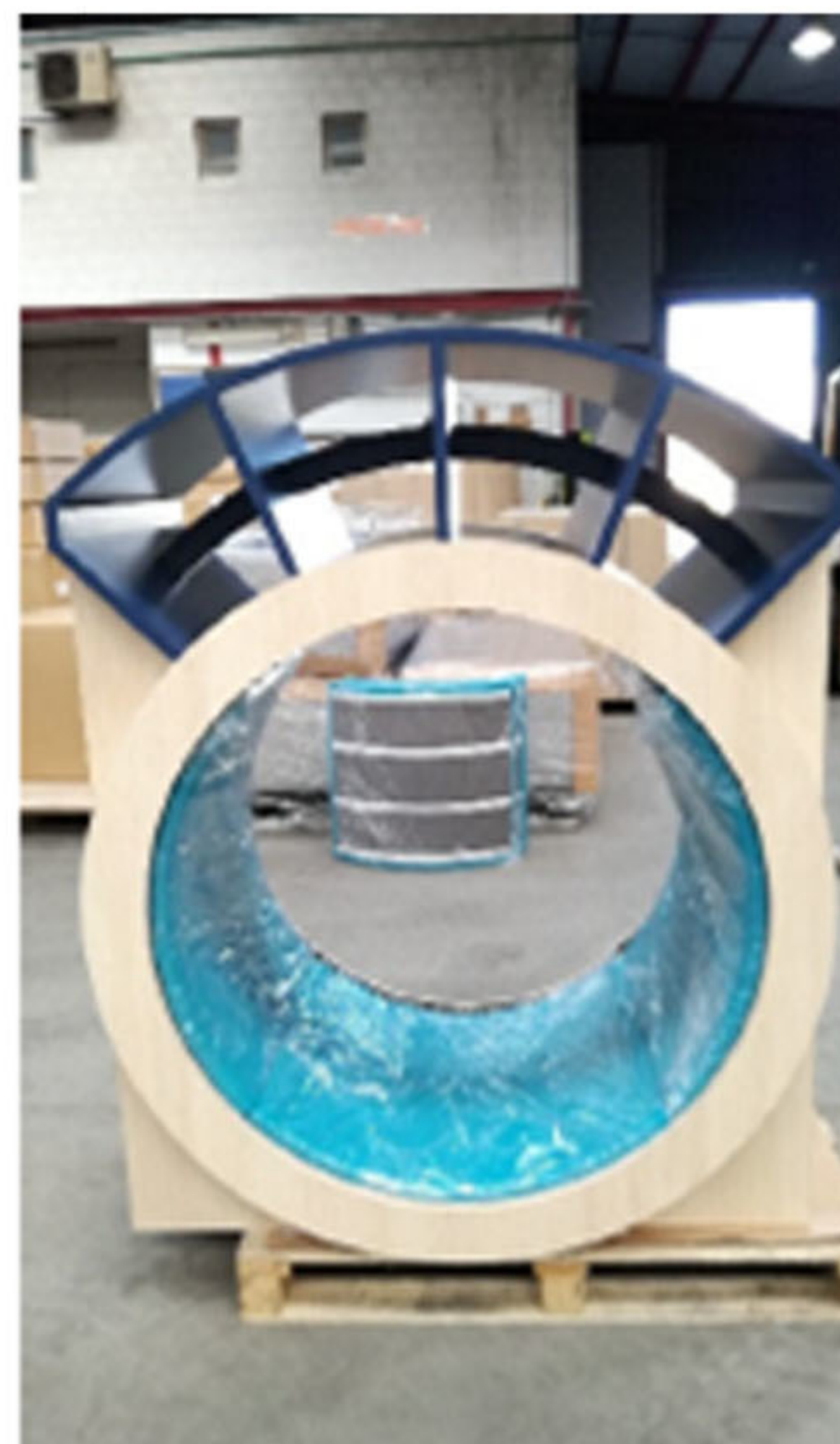
# MONARQUE EXTRAS

Made in Europe



# MONARQUE EXTRAS

Made in Europe



# MONARQUE EXTRAS

Made in Europe

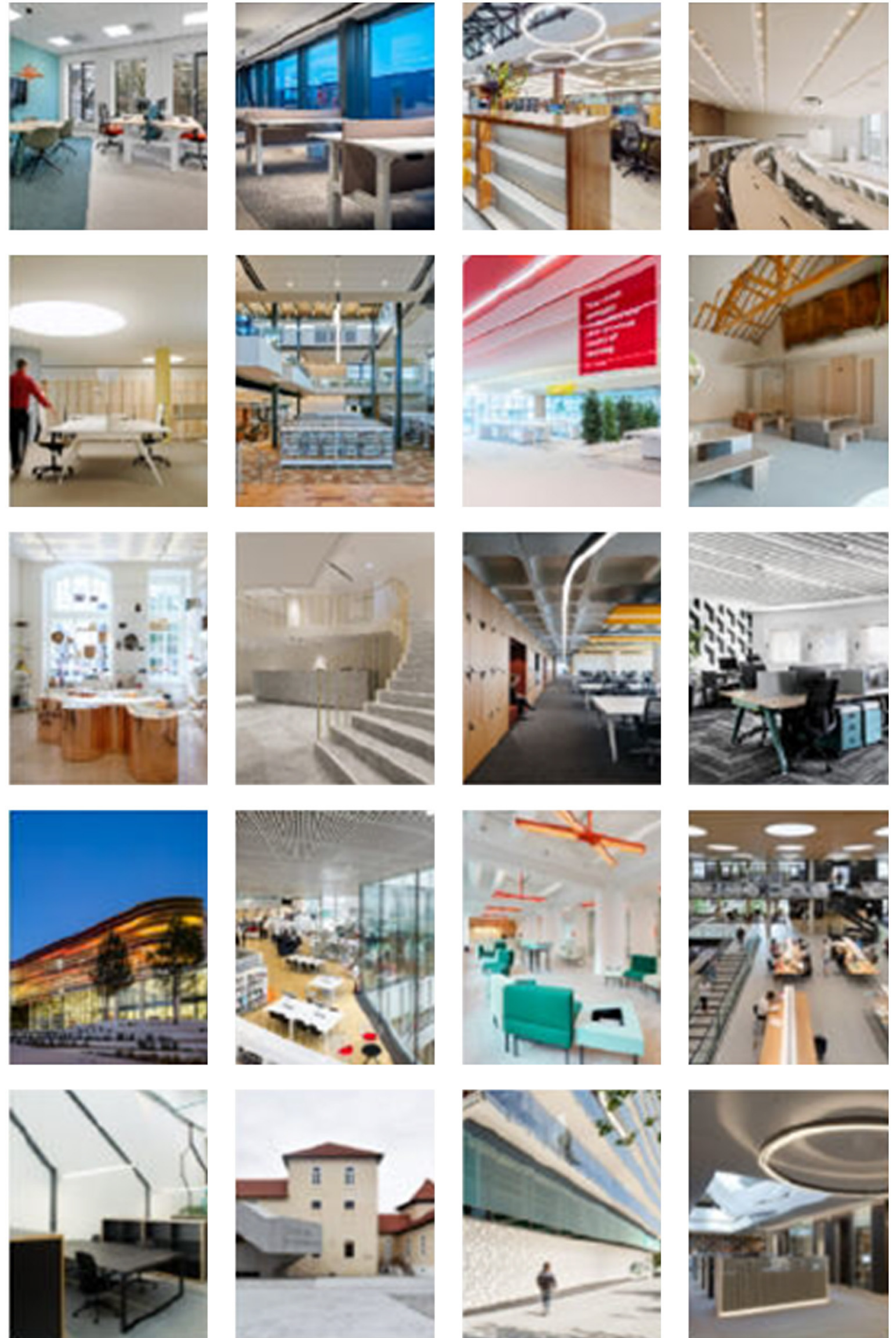




# NOVA PORTFOLIO

Made in Europe

---



# Le Volcan Library

Le Havre, France

Elegant & Durable product design that is light, flexible and easily adapts the complex geometry of the building in which we were able to create not only the shelves with a curvature close to the conical shape of the building, but also the book browsers.

The building had the shape of a Vulcan and all the shelving inside follow the different radius of the building.

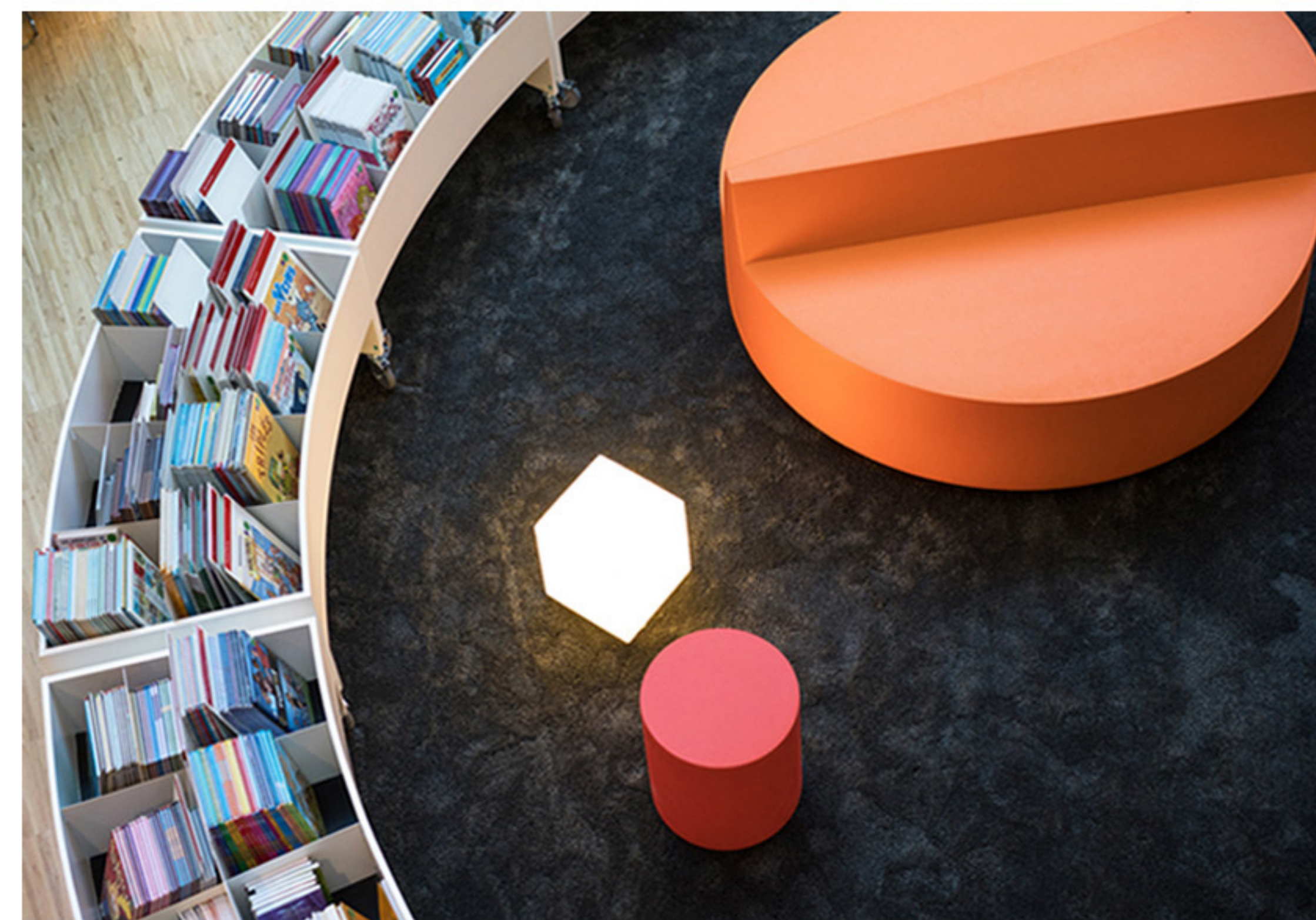
## RENOVATION PROJECT

Architecture  
Deshoulières Jeanneau Architectes

Associated architect  
Françoise Sogno

Year  
2015

Agent  
Silvera



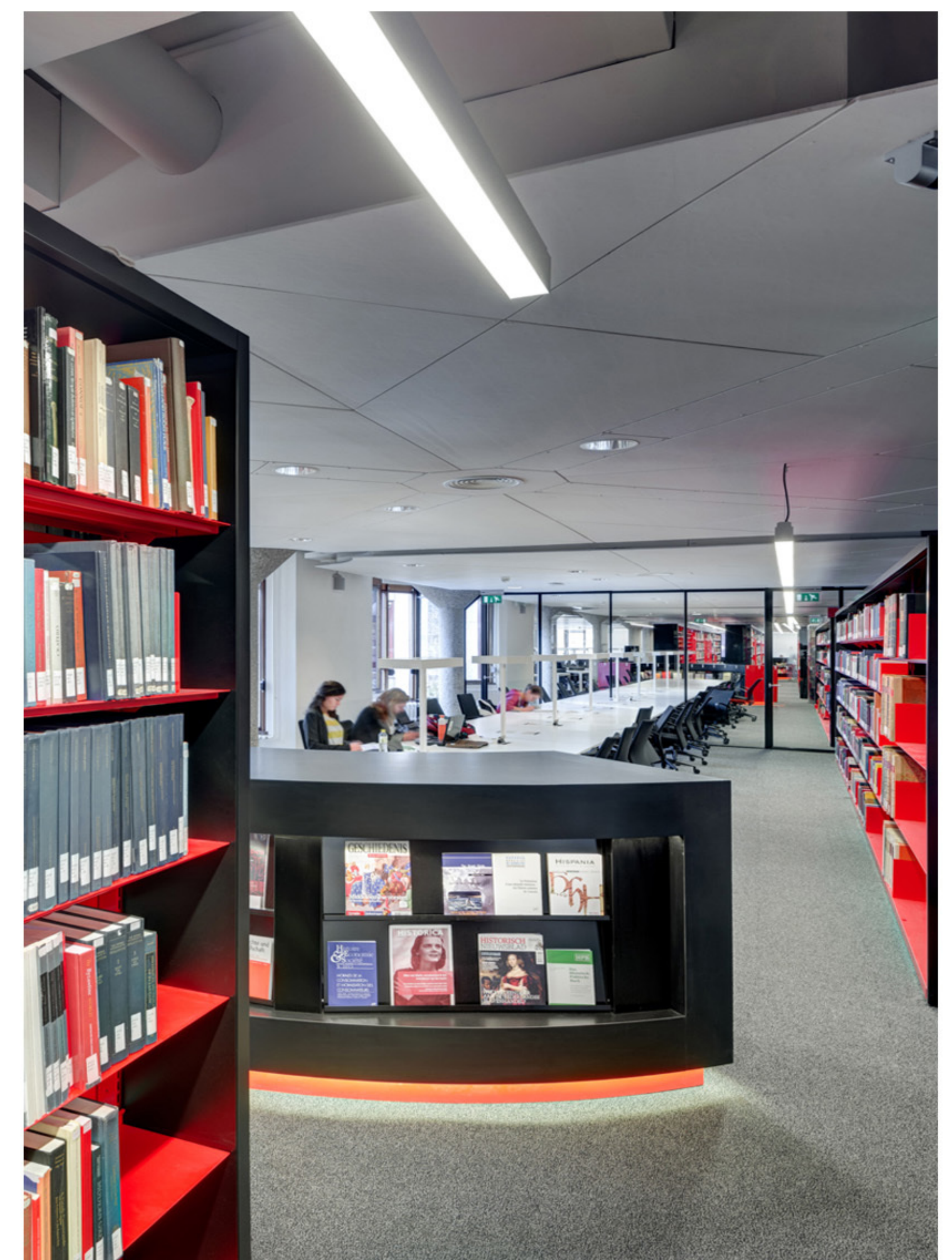
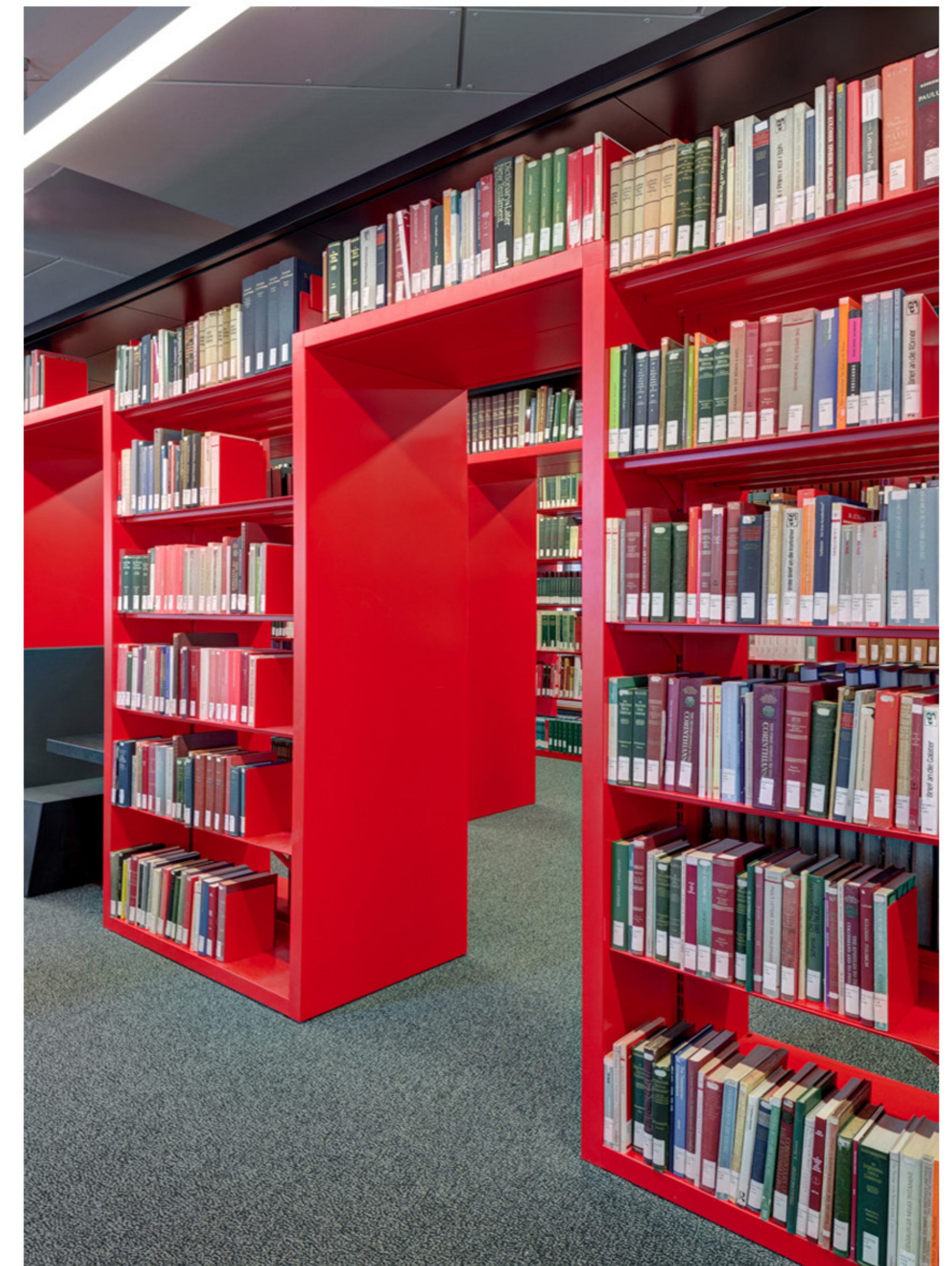
# Leiden University Library

Leiden, The Netherlands

Architecture  
Katja Hogenboom studio/ FELSCH architecten

Year  
2013

Photography  
Raoul Somers



# Médiathèque Mon Marsan

Mon Marsan, France

Architecture  
archi5

Year  
2012

Photography  
Iduna



# Flower Mound Public Library

Texas, USA

Architecture  
Komatsu Architecture

Partner  
Cultural Surroundings

Year  
2020

Photography  
Joshua G.H  
Future 360 visual marketing



# Bibliotheek de Beuk

Woerden, The Netherlands

Architecture  
Helix

Year  
2011

Photography  
Roel van Tour en Pin Top



# Seguin Public Library

Texas, USA

Architecture  
720 Design / PGAL

Partner  
Cultural Surroundings

Year  
2016

Photography  
Dana Jeffery Hoff



# Biblioteca Miquel Batllori

Volpelleres, Spain

Architecture  
OPTeam Arquitectura

Year  
2016

Photography  
Adrià Goula Photo





# Biblioteca Can Canyadó

Badalona, Spain

Architecture  
AMB+Ruisanchéz arquitectes

Year  
2015

Photography  
Adrià Goula Photo



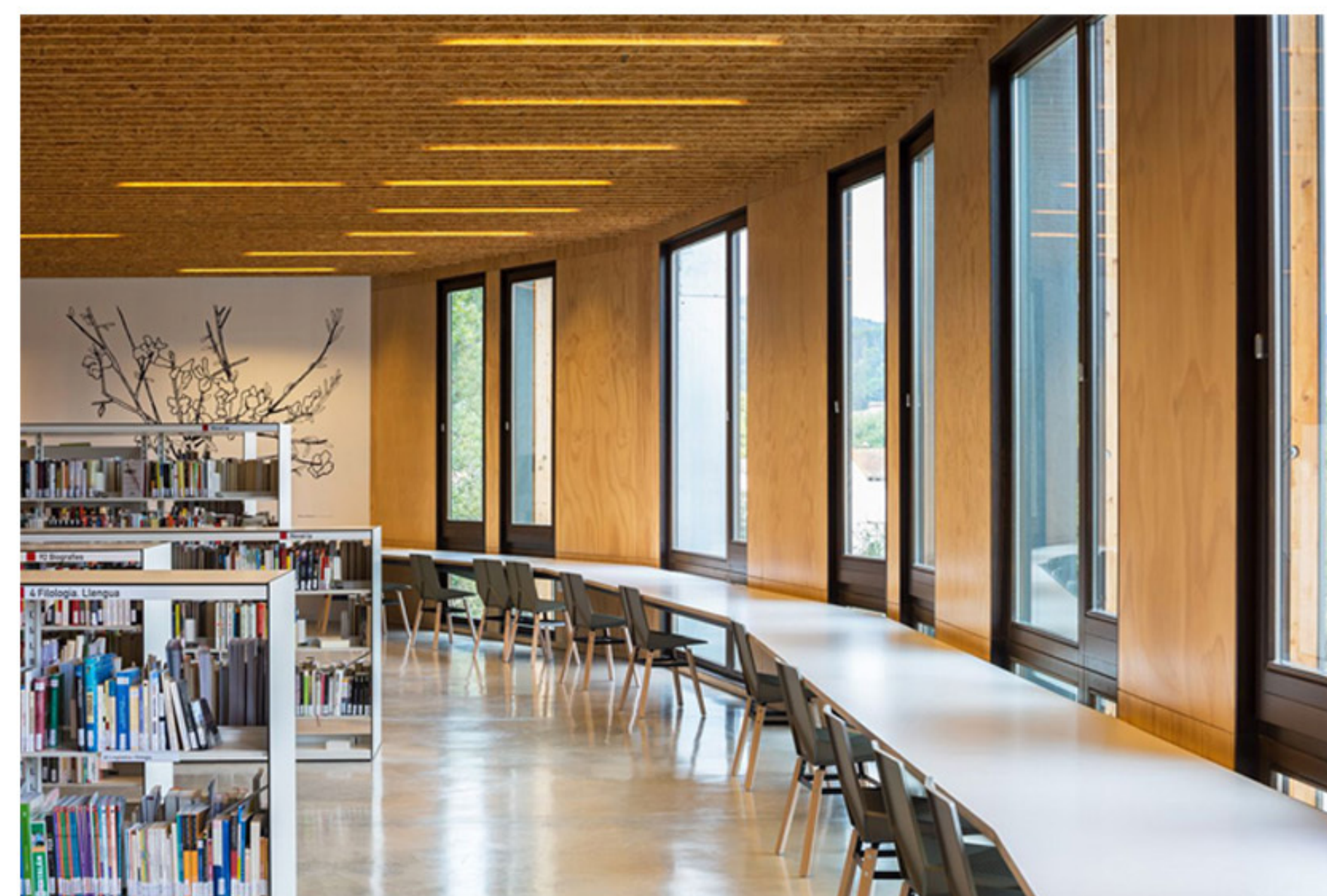
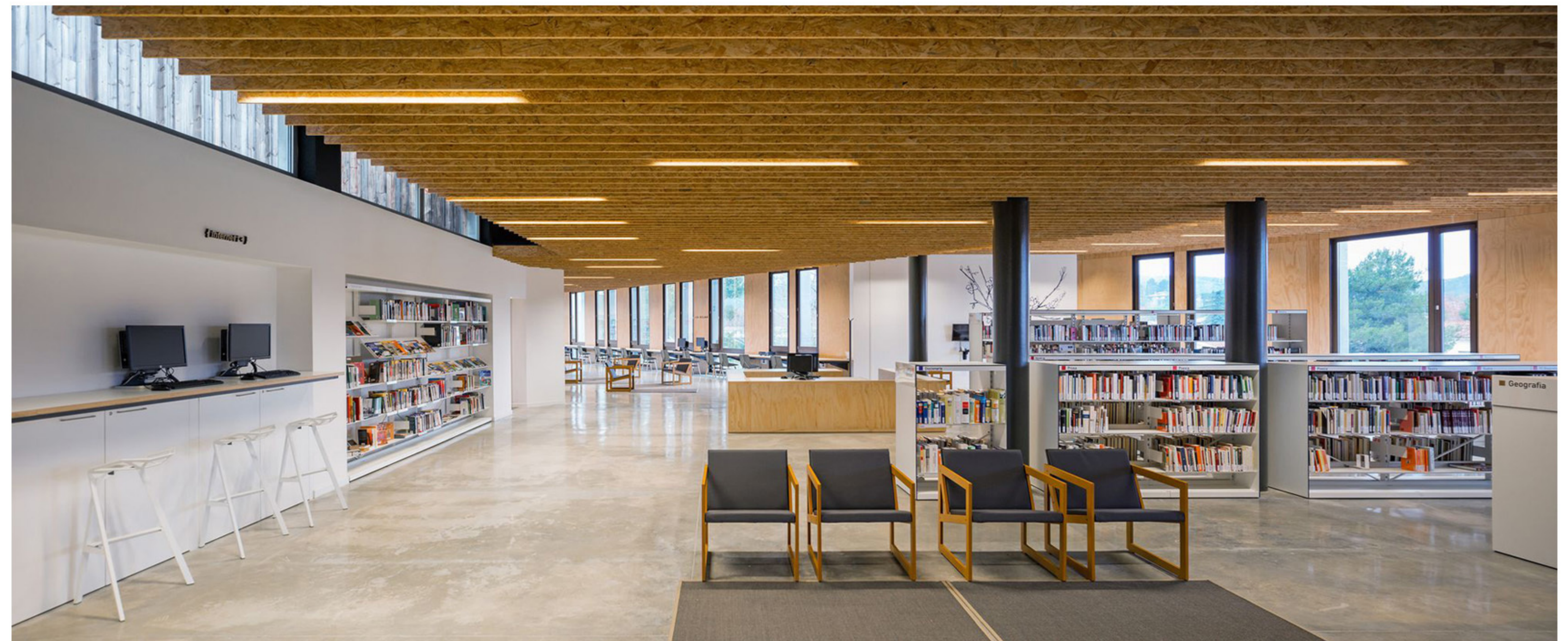
# Community Center La Giesta

Barcelona, Spain

Architecture  
Calderon Folch Studio

Year  
2014

Photography  
Calderon Folch Studio



**1.866.662.7783**

 [MONARQUEFURNITURE.COM](https://www.monarquefurniture.com)

---

 **MONARQUE**  
Made in Europe